

ICBCG365T/S

FEATURES

- Rigorously tested for decades of use
- Exceptional support from our Customer Care team
- Spark ignition system re-ignites if flame goes out
- Lower tier of dual-stacked burner lets you simmer and melt
- Easy-clean seamless burner pan
- Stylish stainless control knobs capped in black
- Continuous cast-iron grates for easy movement of pots and pans
- Dual-stacked burners go from 17 MJ down to a mere breath of flame

ACCESSORIES

- Center burner wok grate
 - High altitude conversion kit
- Accessories available through an authorized dealer.
For local dealer information, visit subzero-wolf.com/locator.



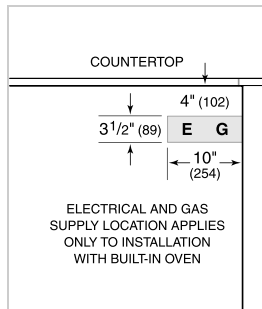
COOKTOP SPECIFICATIONS

- 3 - 9 MJ/h Burner
- 1 - 12 MJ/h Burner
- 1 - 17 MJ/h Burner

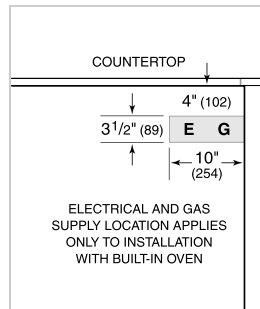
PRODUCT SPECIFICATIONS

Model	ICBCG365T/S
Dimensions	914mmW x 102mmH x 533mmD
Weight	30 kg
Electrical Supply	220-240 VAC; 50/60 Hz
Electrical Service	0.2 A
Gas Supply	Nat - 19 mm; LP - 13 mm
Gas Inlet	Class B or Class D
Power Cord Length	1 Meters

ELECTRICAL

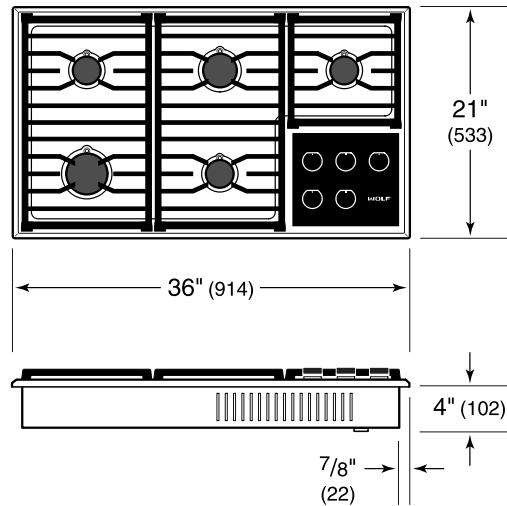


GAS

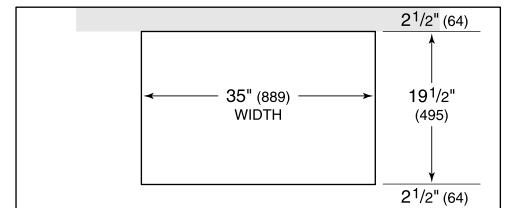


NOTE: Dimensions in parenthesis are in millimeters unless otherwise specified

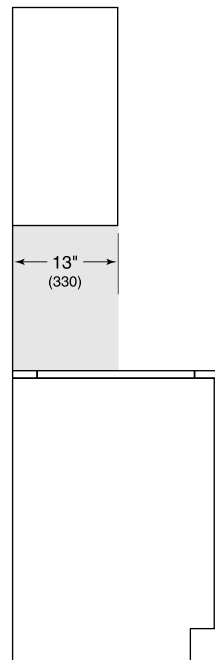
DIMENSIONS



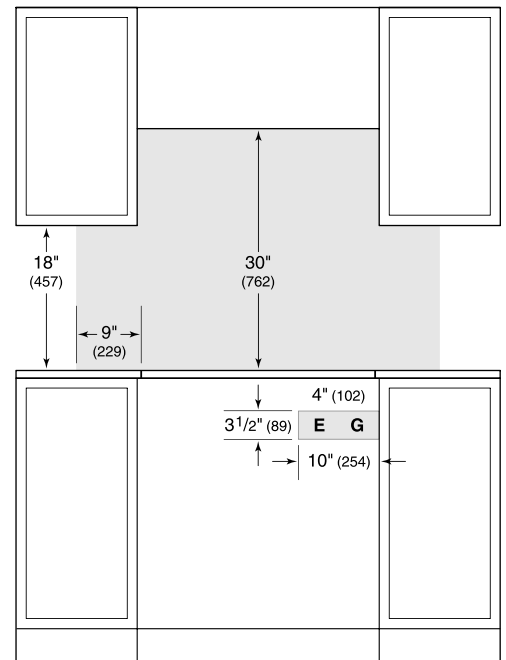
STANDARD INSTALLATION



COUNTERTOP CUT-OUT



SIDE VIEW



FRONT VIEW

NOTE: Shaded area above countertop indicates minimum clearance to combustible surfaces, combustible materials cannot be located within this area. Electrical and gas supply location only applies to installations with built-in oven.