

ICBOG54

FEATURES

Rigorously tested for decades of use

Exceptional support from our Customer Care team

Utilizes both direct and radiant heat for more thorough grilling

Six individually contained grill burners for versatile cooking

Available built-in only

Halogen lights for night-time grilling

Double-wall hood front holds in heat

Hood assist system makes opening and closing easy

Three-position warming rack for the exact temperature you want

Electric hot surface ignition for reliable start ups

Stainless steel burner grates

Infrared sear zone seals in juices and flavors

Two-position rotisserie handles foods big and small

ACCESSORIES

Canvas covers

Griddle Plate

Black control knob(s)

Accessories available through an authorized dealer.
For local dealer information, visit subzero-wolf.com/locator.



KNOB OPTIONS



GRILL SPECIFICATIONS

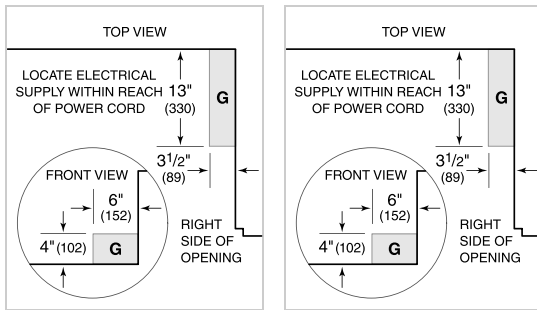
- 3 - 29 MJ Burners
- 2 - 15 MJ Rotisserie Burners
- 1 - 29 MJ Sear Burner

PRODUCT SPECIFICATIONS

Model	ICBOG54
Dimensions	1372mmW x 686mmH x 762mmD
Weight	159 kg
Electrical Supply	220-240 VAC; 50/60 Hz
Electrical Service	10 amp dedicated circuit
Gas Supply	19 mm minimum
Gas Inlet	13 mm

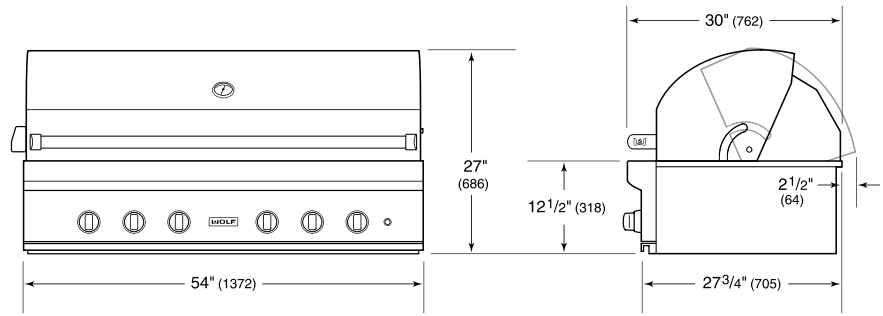
ELECTRICAL

GAS

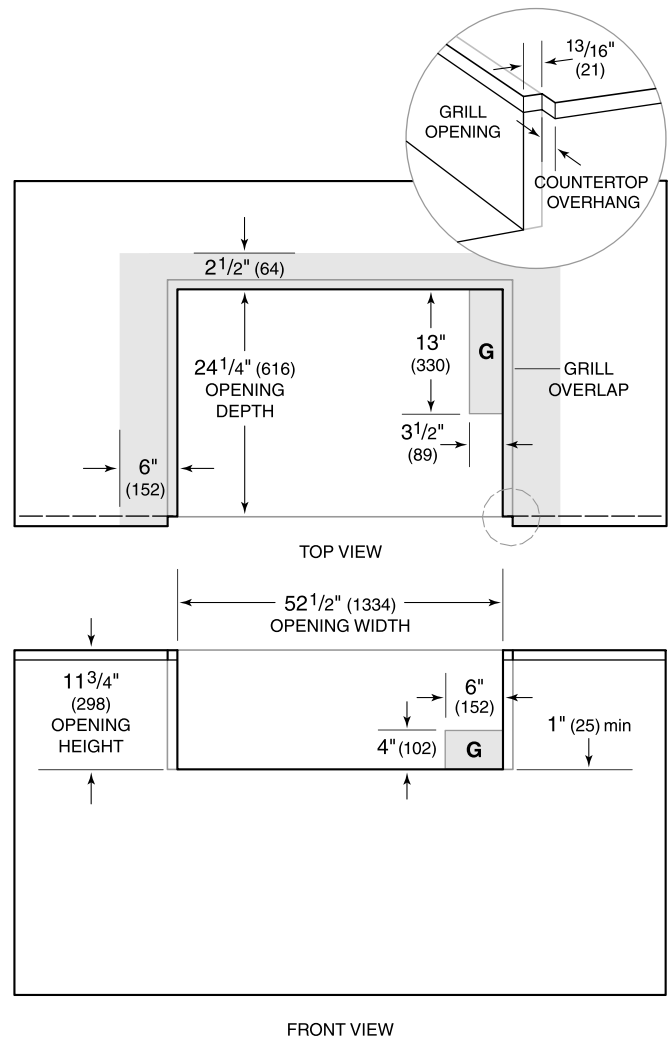


NOTE: Dimensions in parenthesis are in millimeters unless otherwise specified

DIMENSIONS



STANDARD INSTALLATION



NOTE: Shaded area above countertop indicates minimum clearance to combustible surfaces, combustible materials cannot be located within this area.