

ICBID-24RO



## FEATURES

Ready to be fitted with custom panels and handles to blend with cabinetry

Soft-on LED lights for varying degrees of brightness

Smart-touch controls for streamlined access to more settings

Soft-close doors and drawers

Crispers and deli drawers in low-temp, high-humidity zones for optimum freshness

Tight seal maintains low-temp, high-humidity for optimum freshness

Weather resistant stainless steel panel accessories protect against UV rays, salt, and moisture

## ACCESSORIES

Dual installation kits

Stainless steel front panels with tubular or pro handles

Stainless steel kickplate

Stainless Steel Pro Handles

Stainless Steel Tubular Handles

Accessories are available through an authorized dealer.  
For local dealer information, visit [subzero-wolf.com/locator](http://subzero-wolf.com/locator).



## PRODUCT DETAILS

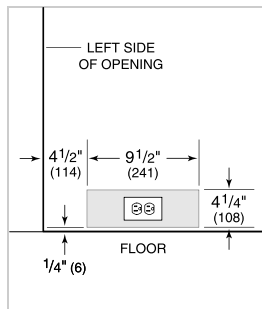
### REFRIGERATOR

- 2 refrigerator storage drawers with removable dividers
- Suitable for indoor and outdoor installations

**PRODUCT SPECIFICATIONS**

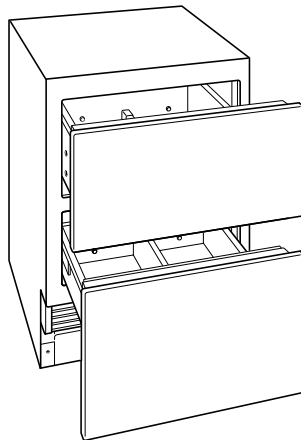
Model	ICBID-24RO
Dimensions	610mmW x 876mmH x 610mmD
Weight	77 kg
Refrigerator Gross Capacity	114 L
Electrical Supply	220-240 VAC; 50/60 Hz
Electrical Service	≤ 2 A
Receptacle	3-prong grounding-type

**ELECTRICAL**



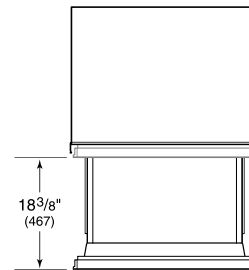
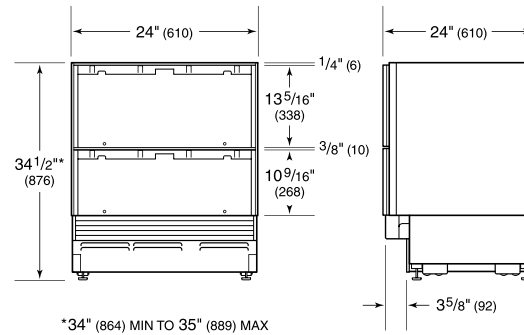
NOTE: Dimensions in parenthesis are in millimeters unless otherwise specified

**INTERIOR VIEW**

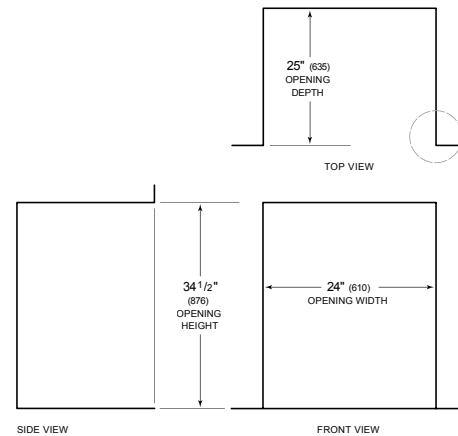


This illustration is intended for interior reference only and may not represent the exterior of the model being specified.

**DIMENSIONS**



**STANDARD INSTALLATION**



NOTE: 3 1/2" (89) finished returns will be visible and should be finished to match cabinetry

