

ICBBI-48S/S



FEATURES

Rigorously tested to ensure decades of use

Exceptional support from Customer Care team

LED Lighting for brighter interior

Dual refrigeration keeps food fresher longer

Air purification system fights spoilage, odours

Microprocessor control assures peak performance

Crispers and deli drawers in low-temp, high-humidity zones for optimum freshness

Freshness cards for maximum food preservation

Magnetic door seal system locks in cold air

Automatic ice maker with "max ice" feature

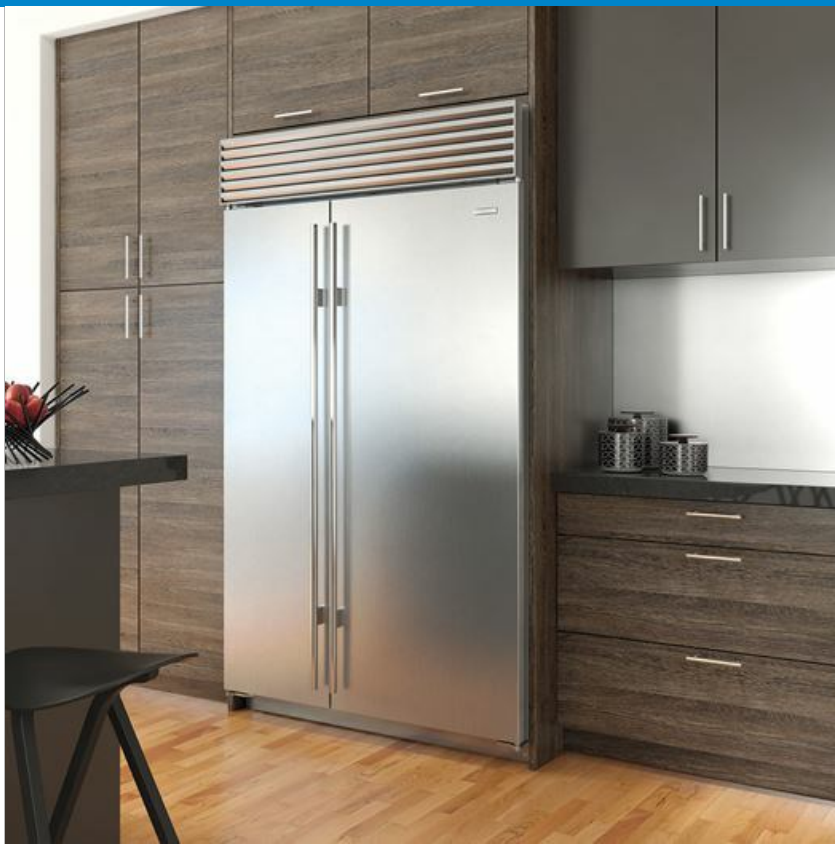
Adjustable shelves for maximum convenience

Water-filtration system reduces contaminants, chlorine taste and odor

ACCESSORIES

Grilles for 2108 mm or 2235 mm finished height (2134 mm is standard)

Accessories are available through an authorized dealer.
For local dealer information, visit subzero-wolf.com/locator.



HANDLE OPTIONS

PRO



TUBULAR



PRODUCT DETAILS

REFRIGERATOR

- 4 Adjustable glass shelves
- 1 High-humidity drawer with divider
- 2 Storage drawers with divider
- 3 Adjustable door shelves
- 2 Stationary door shelves
- Adjustable dairy compartment
- Air purification system

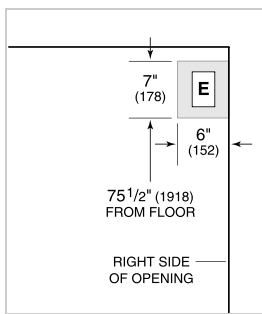
FREEZER

- Automatic ice maker
- 3 Adjustable wire shelves
- 3 Storage drawers
- 5 Adjustable door shelves
- Water filtration system

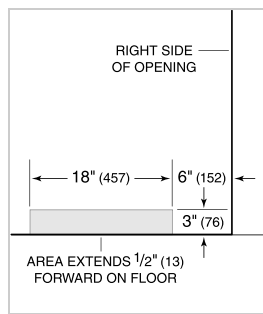
PRODUCT SPECIFICATIONS

Model	ICBBI-48S/S
Dimensions	1219mmW x 2134mmH x 610mmD
Door Clearance	762mm
Weight	286 kg
Refrigerator Gross Capacity	524 L
Freezer Gross Capacity	276 L
Electrical Supply	220-240 VAC; 50/60 Hz
Electrical Service	≤ 4 A
Receptacle	3-prong grounding-type

ELECTRICAL



PLUMBING



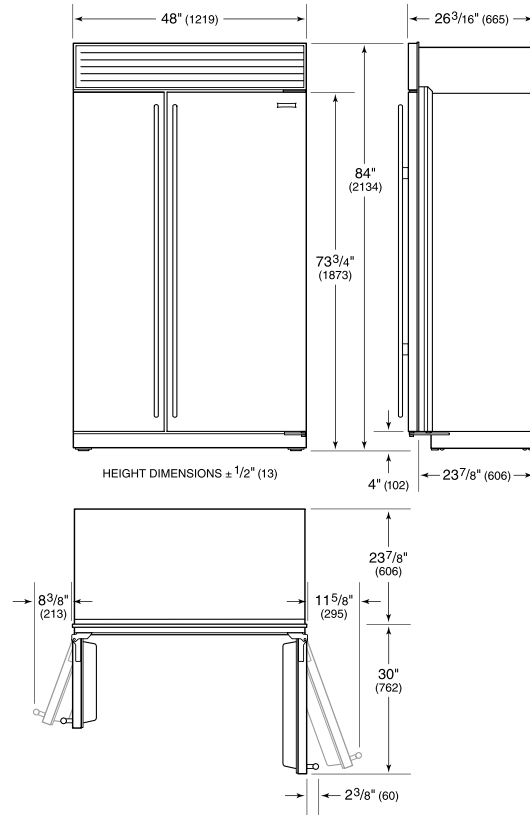
NOTE: Dimensions in parenthesis are in millimeters unless otherwise specified

INTERIOR VIEW

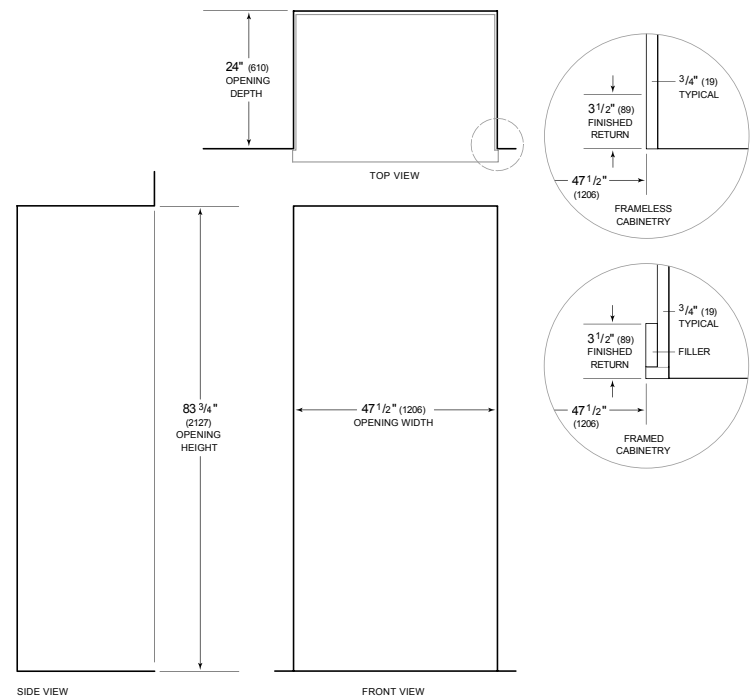


This illustration is intended for interior reference only and may not represent the exterior of the model being specified.

DIMENSIONS



STANDARD INSTALLATION



NOTE: 3 1/2" (89) finished returns will be visible and should be finished to match cabinetry. Shaded line represents profile of unit.