

ICBBI-36UFDID/S



FEATURES

- _____ Rigorously tested to ensure decades of use
- _____ Exceptional support from Customer Care team
- _____ LED Lighting for brighter interior
- _____ Dual refrigeration keeps food fresher longer
- _____ Air purification system fights spoilage, odours
- _____ Microprocessor control assures peak performance
- _____ Crispers and deli drawers in low-temp, high-humidity zones for optimum freshness
- _____ Over-and-under refrigerator/freezer storage
- _____ Freshness cards for maximum food preservation
- _____ Magnetic door seal system locks in cold air
- _____ Automatic ice maker with "max ice" feature
- _____ Adjustable shelves for maximum convenience
- _____ Discreet interior water dispense with advanced filtration

ACCESSORIES

Grilles for 2108 mm or 2235 mm finished height (2134 mm is standard)

Accessories are available through an authorized dealer.
For local dealer information, visit subzero-wolf.com/locator.



HANDLE OPTIONS

PRO



TUBULAR



PRODUCT DETAILS

REFRIGERATOR

- Internal water dispenser
- 3 Adjustable glass shelves
- 1 Stationary glass shelf
- 1 High-humidity drawer with dividers
- 1 Storage drawer with dividers
- 4 Adjustable door shelves
- 2 Stationary door shelves
- 2 Adjustable dairy compartments
- Air purification system

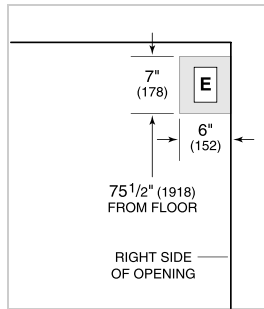
FREEZER

- Full-extension roll-out freezer drawer
- Two-tier wire storage baskets
- Automatic ice maker
- Water filtration system

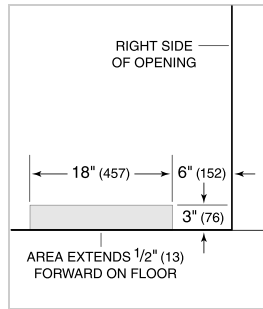
PRODUCT SPECIFICATIONS

Model	ICBBI-36UFDID/S
Dimensions	914mmW x 2134mmH x 610mmD
Door Clearance	496mm
Drawer Clearance	600mm
Weight	240 kg
Refrigerator Gross Capacity	409 L
Freezer Gross Capacity	147 L
Electrical Supply	220-240 VAC; 50/60 Hz
Electrical Service	≤ 4 A
Receptacle	3-prong grounding-type

ELECTRICAL

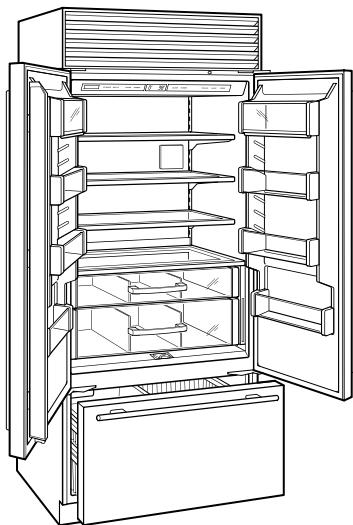


PLUMBING



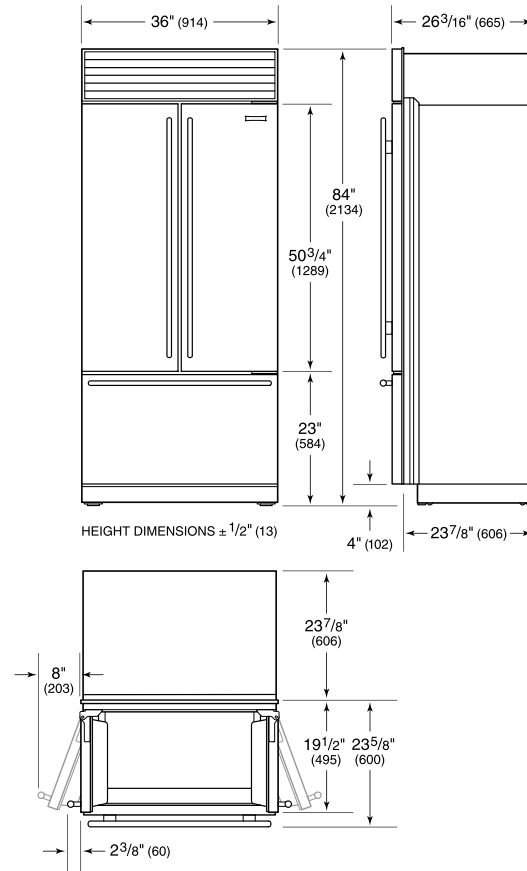
NOTE: Dimensions in parenthesis are in millimeters unless otherwise specified

INTERIOR VIEW

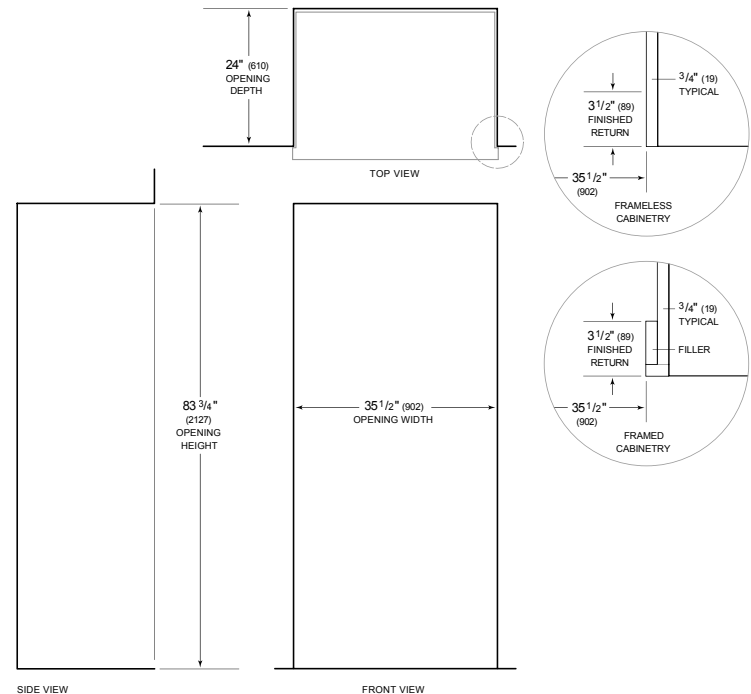


This illustration is intended for interior reference only and may not represent the exterior of the model being specified.

DIMENSIONS



STANDARD INSTALLATION



NOTE: 3 1/2" (89) finished returns will be visible and should be finished to match cabinetry. Shaded line represents profile of unit.