



Application

Polyhedron LED is a high specification IK07, IP65 weatherproof, vandal resistant wall mounted luminaire. A unique polycarbonate diffuser lens is utilized to create a very decorative appearance and obtain optimum light output and distribution.

Ideal for:

- Car Parks
- External Amenity Areas

Body

Formed from die cast aluminium with a UVA stabilized opal polycarbonate diffuser.

Sizes

(nominal) Height
: 319mm Width:
365mm

Options Available

- High Frequency Digital Dimming
- Emergency Mode
- Inbuilt Photocell
- Available in Colour: Graphite

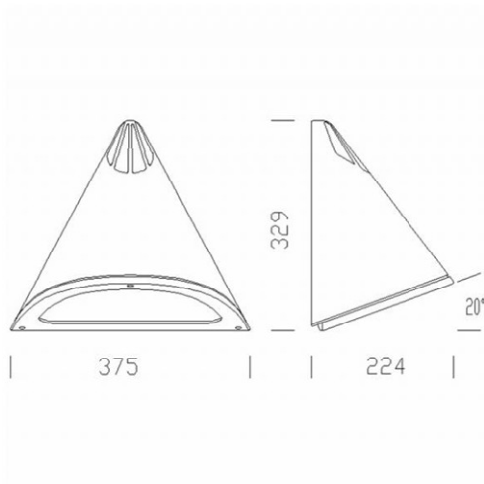
Attachments

An Inbuilt Sensor unit gives this Luminaire an intelligence of its own. When linked with the Digital Control Systems, the luminaire can offer PIR Presence Detection automatic switch on / off. Control Daylight Sensing / Dimming to create a constant working illuminance.

Lamps

All Luminaires are supplied with colour 840, 4000k LED'S as standard.

All LED data and performance data is taken at an ambient temperature of +25 degrees Celsius.



Catalogue Codes

Wattage	Height	Width	Depth	Cat No.
17 W	319mm	365mm	80mm	SL/LED/2000/PHN

All luminaires comply with CIBSE Lighting Guide and are designed and manufactured to conform to the general requirements of BS4533. A stringent quality control operation in accordance with ISO 9001 ensures customer satisfaction. All luminaires are accredited with the CE mark.