

#### Application

The Panel LED Air is an IP44 recessed panel luminaire utilising LED technology. This stylish fitting is designed to offer air handling capabilities in office environments.

Ideal for:

- Offices
- Commercial Areas

#### Body

Formed powder coated steel & aluminium housing.

#### Sizes (nominal)

Length: 300/600/750/1200/1500 mm

Width: 300/600/750/1200/1500 mm

Depth: 69 mm

#### Control Gear

- Standard LED
- DALI Dimmable LED
- DSI Dimmable LED

#### Options Available

- Add /EMG to codes for Emergency Mode
- Add /EMG/ST to codes for Self Test Emergency
- Add /EMG/AD to codes for Addressable Emergency
- Add /DALI to codes for DALI Dimming
- Add /DSI to codes for DSI Dimming

#### Attachments

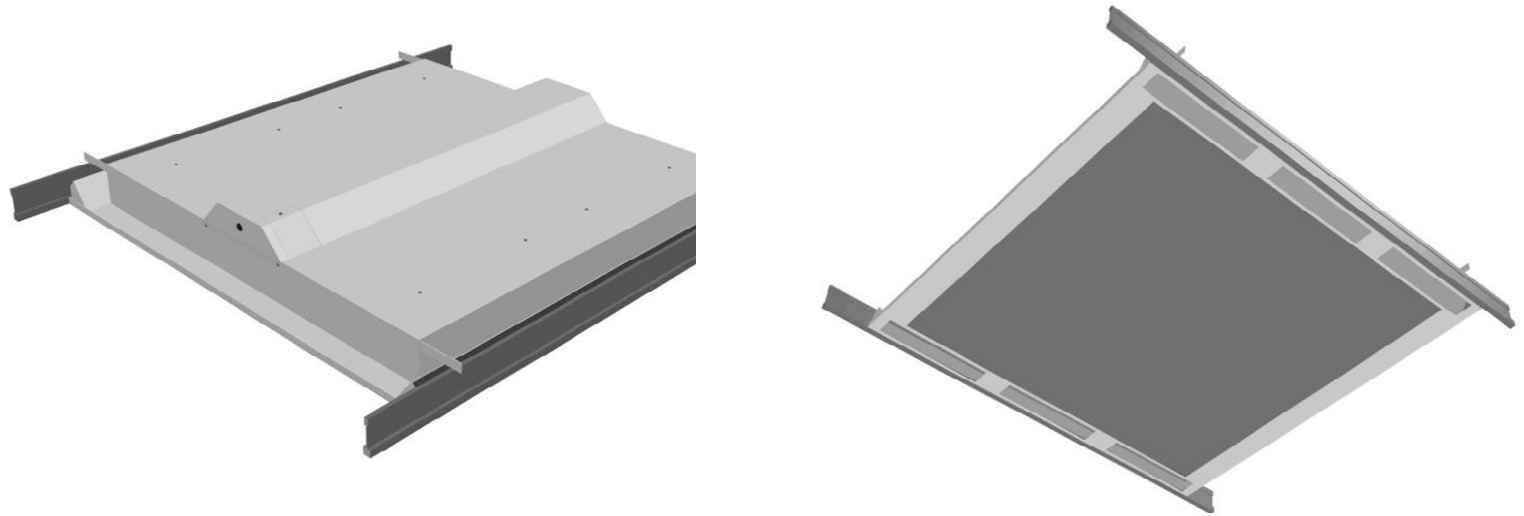
- Add /PIR to codes for Inbuilt PIR

#### LED Boards

All luminaires are supplied with colour 840, 4000k LEDs as standard. Options are available from 3000k to 5000k. All LED data and performance data is taken at an ambient temperature of +25 degrees Celsius.

#### Main Attributes

- 120-140 lm/watt
- 50,000 Hour Life
- High Colour Rendering
- Self Cooling
- CRI > 80
- 5 Year Guarantee



### Catalogue Codes

Wattage	Length	Width	Depth	Catalogue Code
17.8 W	750 mm	750 mm	69 mm	SL/LED/7.7/2500/PAN/AIR
23.0 W	750 mm	750 mm	69 mm	SL/LED/7.7/3100/PAN/AIR
27.1 W	750 mm	750 mm	69 mm	SL/LED/7.7/3900/PAN/AIR
29.3 W	750 mm	750 mm	69 mm	SL/LED/7.7/4200/PAN/AIR
34.6 W	750 mm	750 mm	69 mm	SL/LED/7.7/4900/PAN/AIR
39.4 W	750 mm	750 mm	69 mm	SL/LED/7.7/5500/PAN/AIR

All luminaires comply with CIBSE Lighting Guide and are designed and manufactured to conform to the general requirements of BS4533. A stringent quality control operation in accordance with ISO 9001 ensures customer satisfaction. All luminaires are accredited with the CE mark.