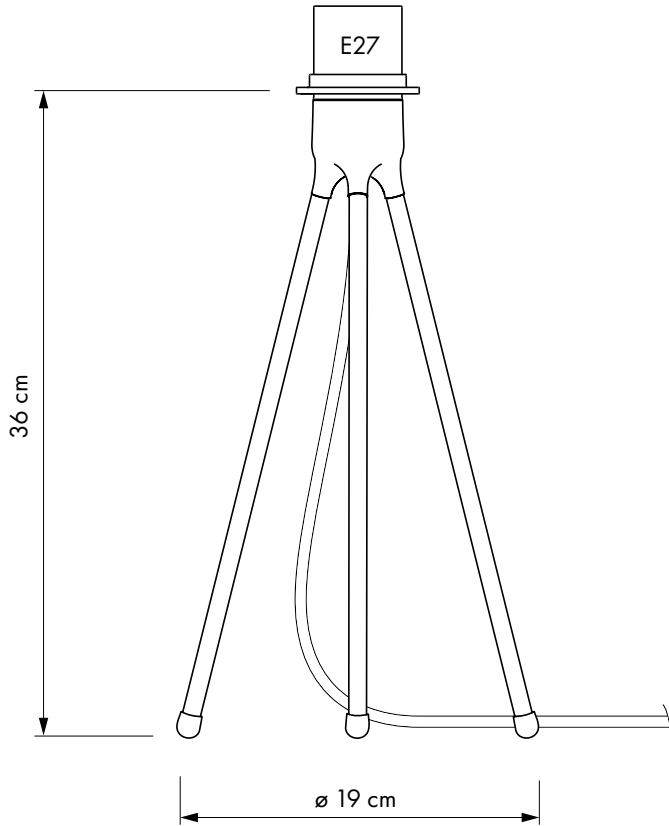




# UMAGE Tripod table

#4021  
#4022

Designed by Soren Ravn Christensen in Copenhagen, Denmark



## Dimensions

∅ 19 cm  
h 36 cm

## Material

ABS, Aluminium



## Weight incl. packaging

630 g



## Light source

E27 / E26  
Max 15 W LED



## Packaging

Gift Box, Dimensions (W×H×D): 6.8x6.8x40 cm



## Assembly time

1 min - video guide at [umage.com](http://umage.com)



## CE certified

For indoor use



## Media Kit

Photos, 3D models, 2D drawings  
Download at [umage.com](http://umage.com)



## Ordering Information

Tripod table white	#4021
Tripod table black	#4022

## Accessories

Idea 13W 70 mm LED bulb	#4136
Idea 6W 60 mm LED bulb	#4026
Idea 6W 80 mm LED bulb	#4033
Idea 2W 45 mm LED bulb	#4039

## Colour variations



## Download the UIMAGE Unfold at Home App

It helps you choose the perfect lamp

UNFOLD  
AT HOME



UMAGE  
Kongens Nytorv 15  
DK-1050 Copenhagen K  
Denmark

+45 31 39 31 31 (tel)  
+45 31 73 32 29 (fax)  
info@umage.com  
www.umage.com

The specifications and dimensions are subject to change without notice  
Document date: 23-05-2018