



EVOTECH®
P E R F O R M A N C E

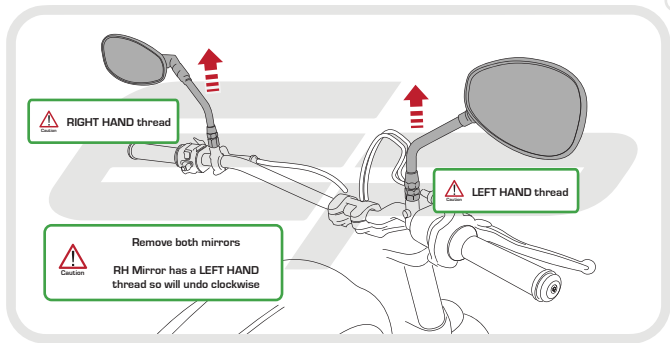
Installation Instructions

DUCATI SCRAMBLER HAND GUARDS

Product Reference - 13347

Kit Contents

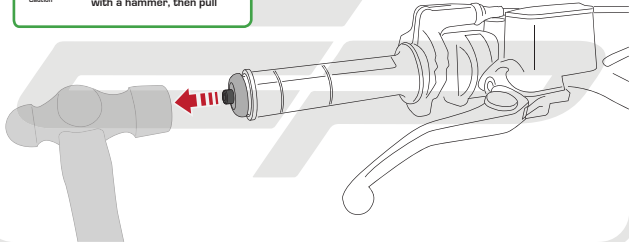
- | | |
|-----------------------------|---|
| A 1 x RH Guard | F 2 x Bar End Outers |
| B 1 x LH Guard | G 2 x M6 Threaded Wedges |
| C 1 x RH Bracket | H 2 x M6 - 60 Cap Head Bolts |
| D 1 x LH Bracket | I 4 x M4 - 8 Socket Countersink Screws |
| E 2 x Bar End Inners | |

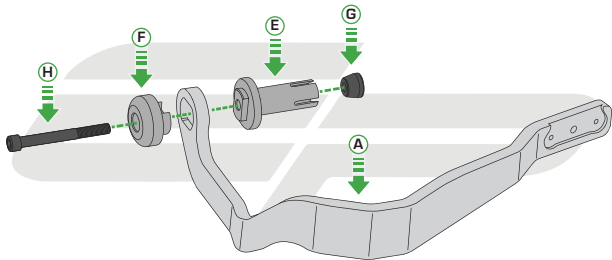


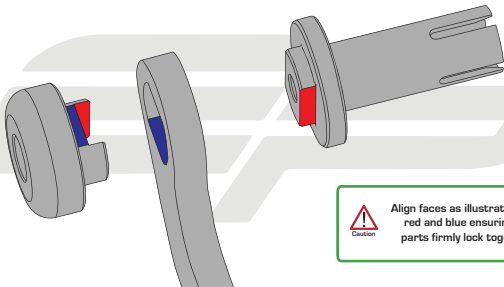


Caution

To release bar end, undo bolt
about 4 turns and tap
with a hammer, then pull

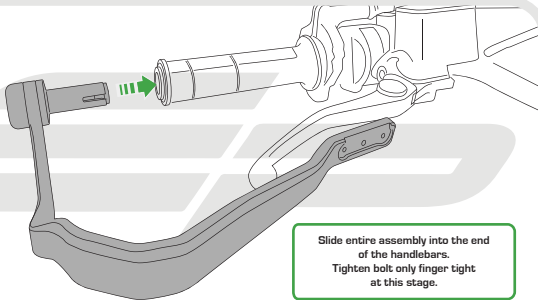




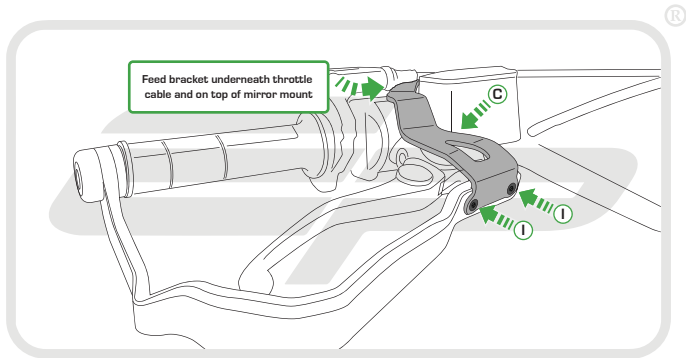


Caution

Align faces as illustrated with red and blue ensuring all parts firmly lock together



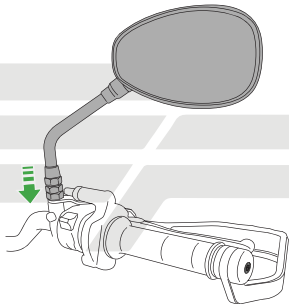
Slide entire assembly into the end
of the handlebars.
Tighten bolt only finger tight
at this stage.

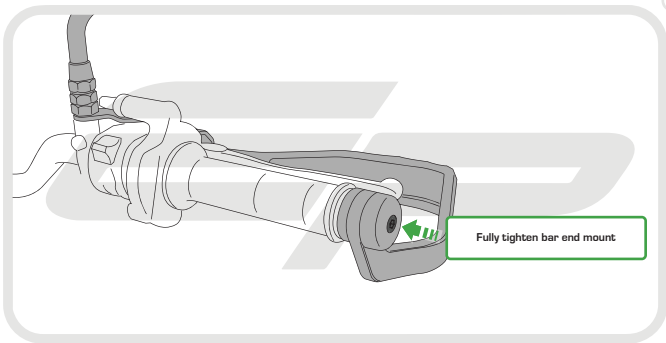


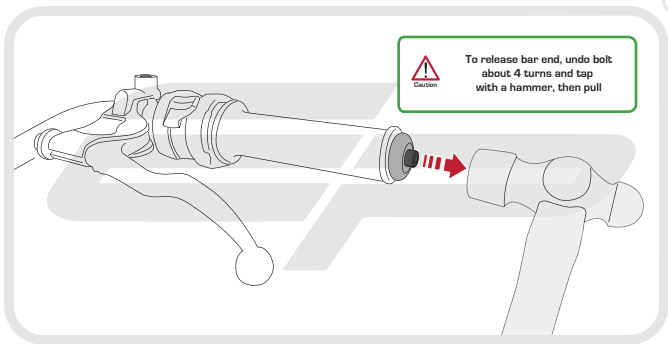


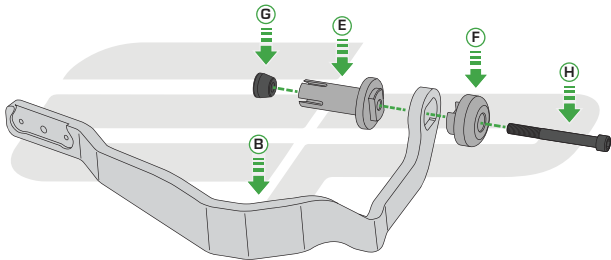
Caution

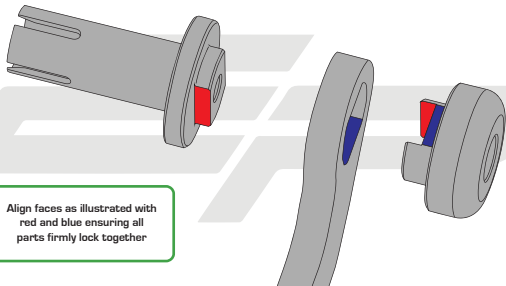
LEFT HAND thread









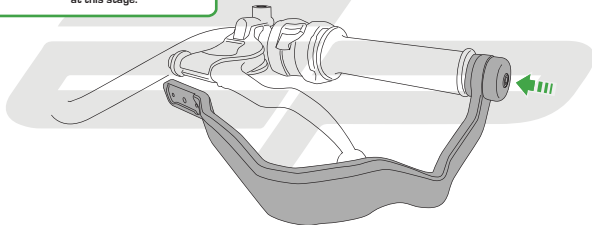


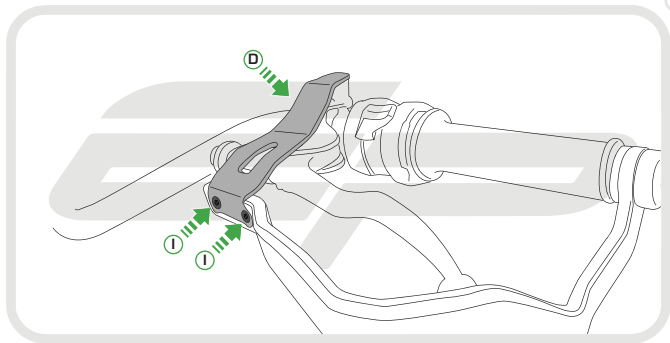
Caution

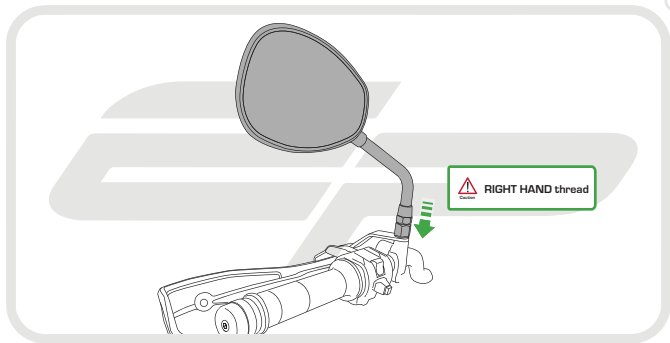
Align faces as illustrated with red and blue ensuring all parts firmly lock together

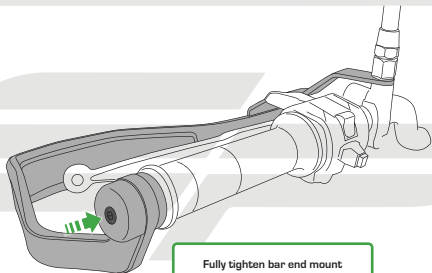


Slide entire assembly into the end
of the handlebars.
Tighten bolt only finger tight
at this stage.











EVOTECH®
P E R F O R M A N C E

www.evotech-performance.com