



**EVOTECH**®  
P E R F O R M A N C E

Installation Instructions

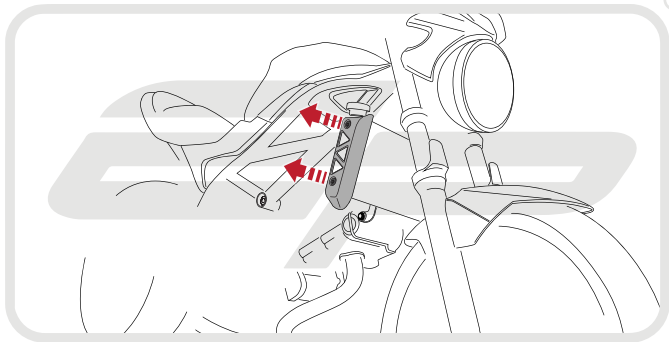


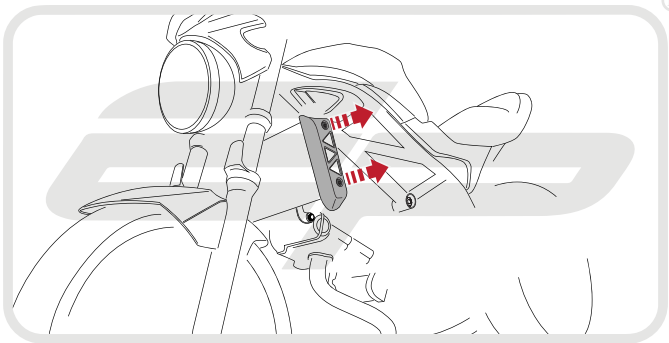
## SUZUKI SV650 2016 RADIATOR GUARD

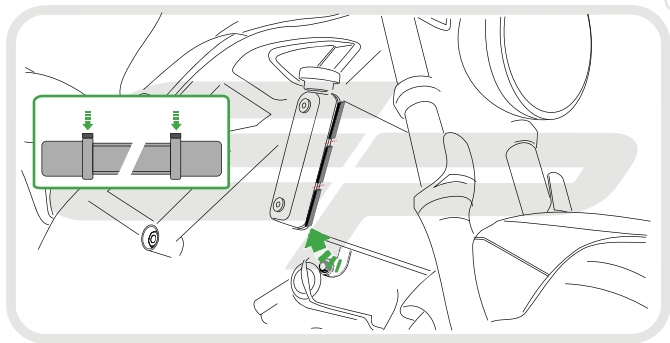
Product Reference - 13169

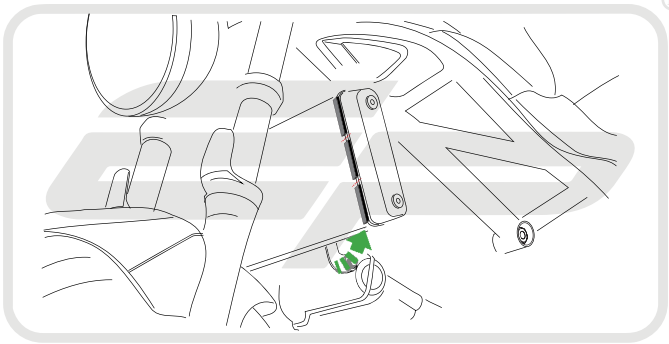
### Kit Contents

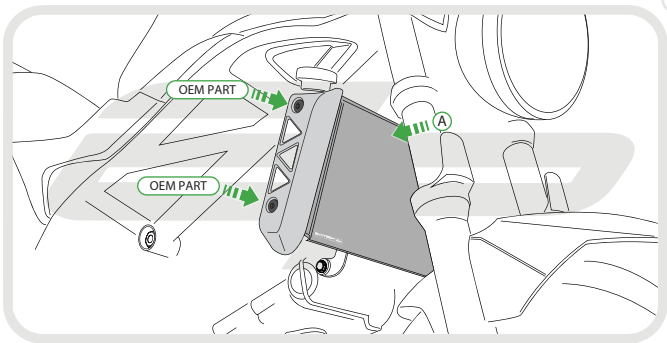
- Ⓐ 1 x Radiator Guard
- Ⓑ 6 x 50mm x 10mm x 3mm Neoprene Foam

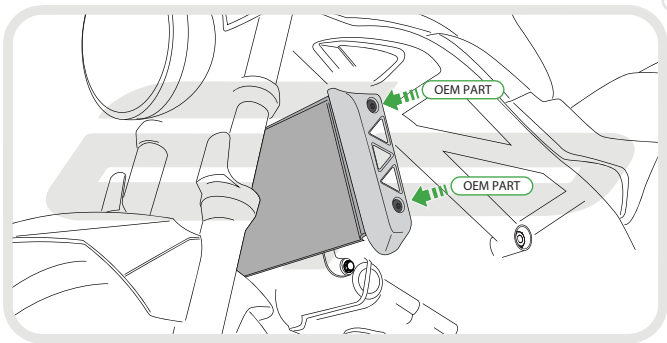
















## ESSENTIAL CHECKS



It is recommended that periodic inspections are made to ensure that dirt and debris have not become trapped between the guard and the radiator/oil cooler. Such dirt and debris would reduce the cooling efficiency of the radiator/oil cooler.

It is recommended that periodic inspections are made to ensure that all fixings are fully tightened.



**EVOTECH**®  
P E R F O R M A N C E

[www.evotech-performance.com](http://www.evotech-performance.com)