



**EVOTECH**®  
P E R F O R M A N C E

**Installation Instructions**

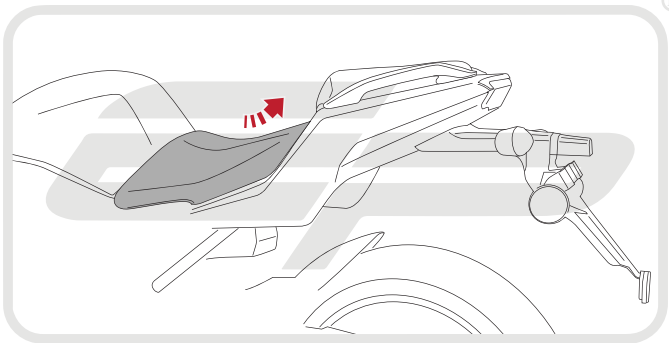


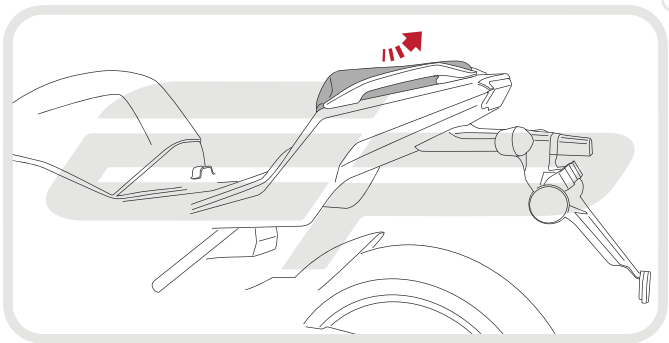
## WK 650i 2013 TAIL TIDY

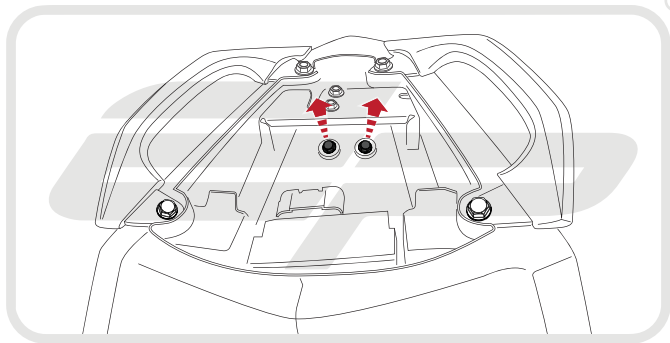
Product Reference - 12629

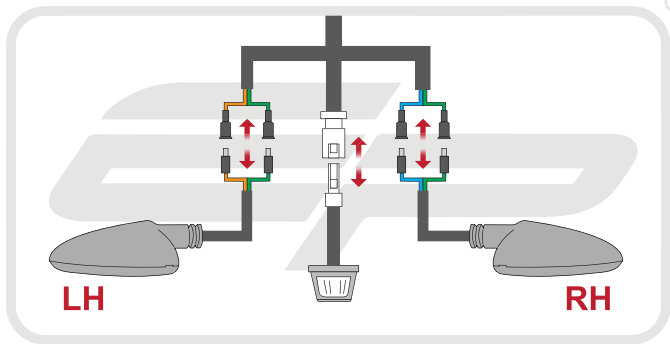
### Kit Contents

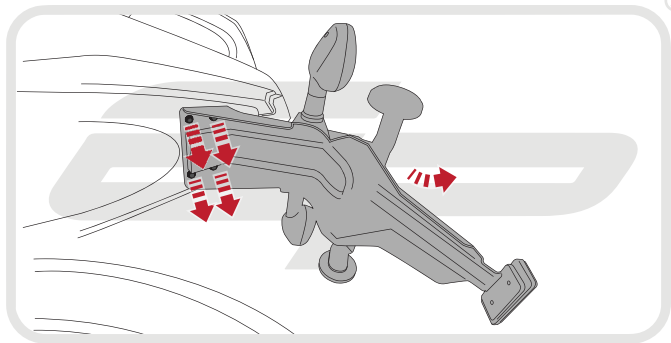
- |  |   |
|--|---|
| <b>A</b> 1 x Main Tail Tidy            | <b>H</b> 2 x M3 - 12 Black Button Head Screws |
| <b>B</b> 1 x Cover Plate               | <b>I</b> 2 x Male Bullet Connectors           |
| <b>C</b> 1 x Tail Light Mounting Plate | <b>J</b> 2 x Female Bullet Connectors         |
| <b>D</b> 1 x LED Light Unit            | <b>K</b> 2 x Plastic Nuts                     |
| <b>E</b> 1 x Reflector Bracket         | <b>L</b> 2 x Plastic Screws                   |
| <b>F</b> 1 x Reflector                 | <b>M</b> 4 x M6 x 20 Black Button Head Screws |
| <b>G</b> 2 x M6 Flange Nuts            | <b>N</b> 5 x Cable Ties                       |

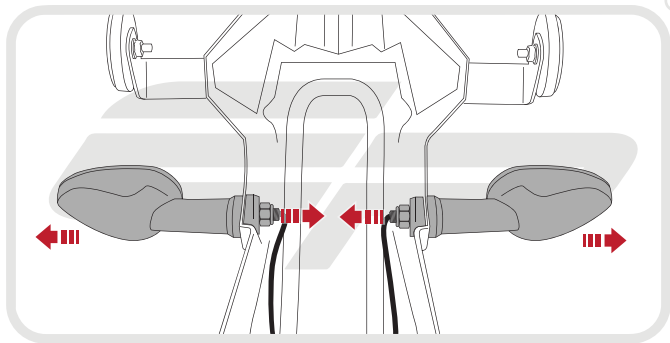




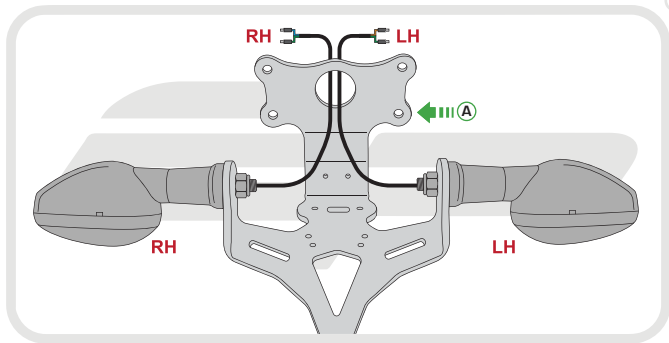


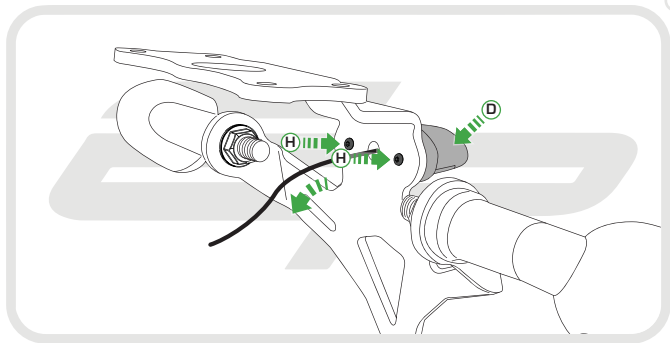


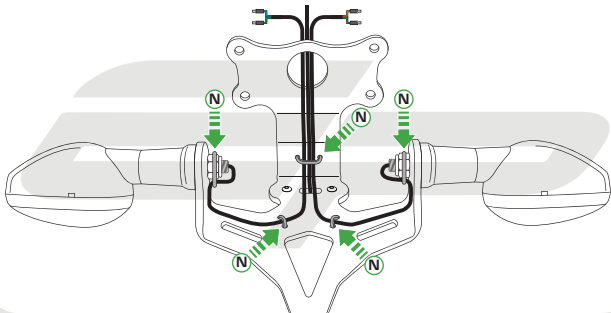




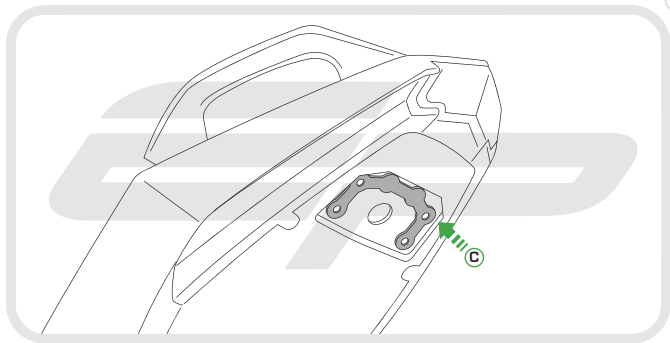


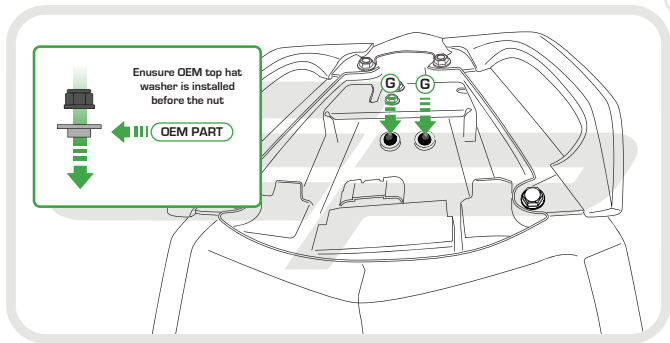


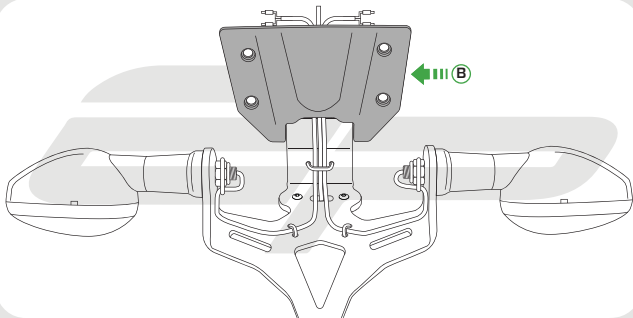


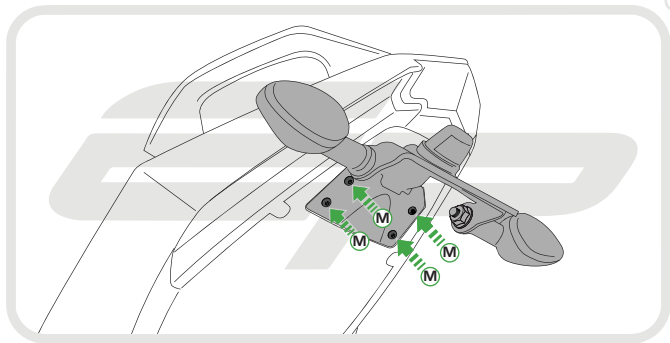


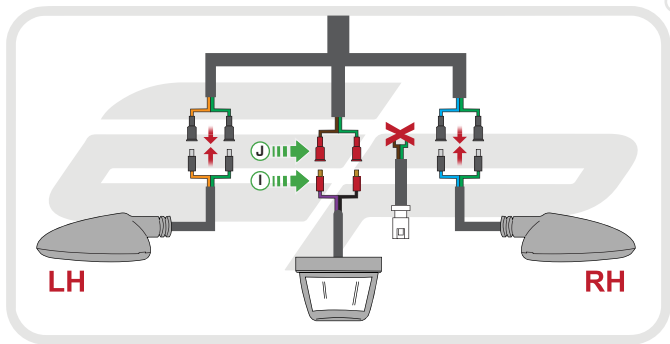
**EVOTECH**<sup>®</sup>  
P E R F O R M A N C E











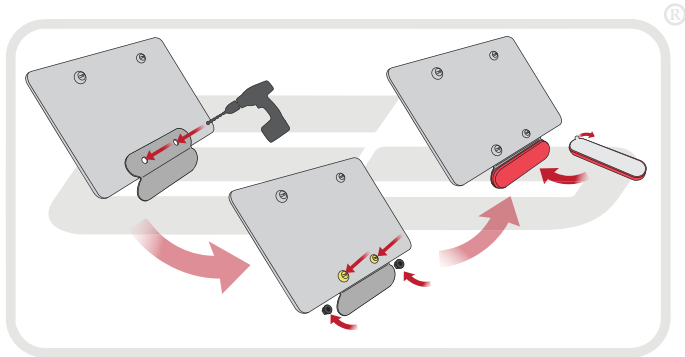




Reverse Stage

2,1

## Reflector Bracket Installation



**EVOTECH**<sup>®</sup>  
P E R F O R M A N C E



## ESSENTIAL CHECKS



After installation of your tail tidy ensure that the licence plate does not contact the rear tyre when suspension is fully compressed.

Ensure all electrics including indicators, tail light, brake light and licence plate light lights are working correctly before riding the motorcycle.

It is recommended that periodic inspections are made to ensure that all fixings are fully tightend.



**EVOTECH**®  
P E R F O R M A N C E

[www.evotech-performance.com](http://www.evotech-performance.com)