



EVOTECH®
P E R F O R M A N C E

Installation Instructions

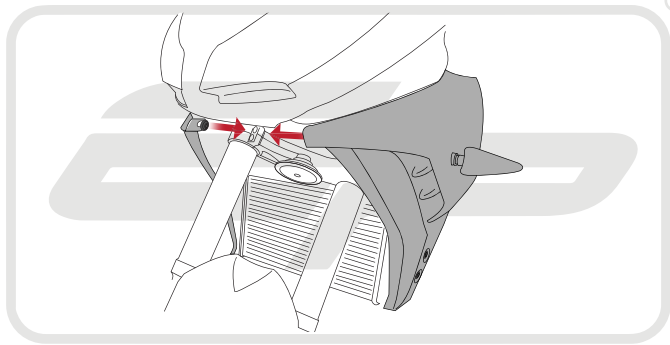


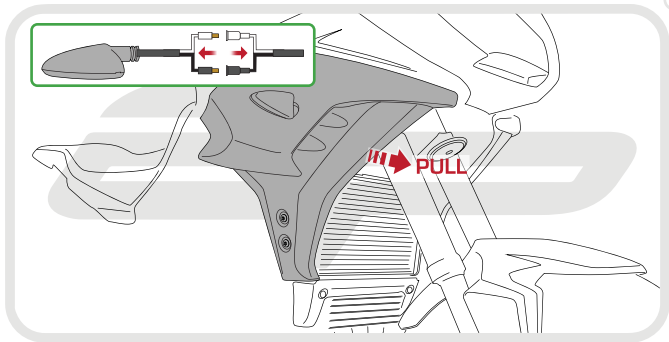
TRIUMPH TIGER 1050 SPORT 2014 ONWARDS
RADIATOR GUARD

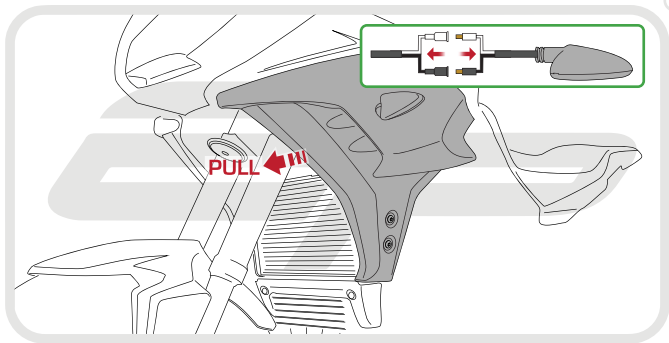
Product Reference - 12626

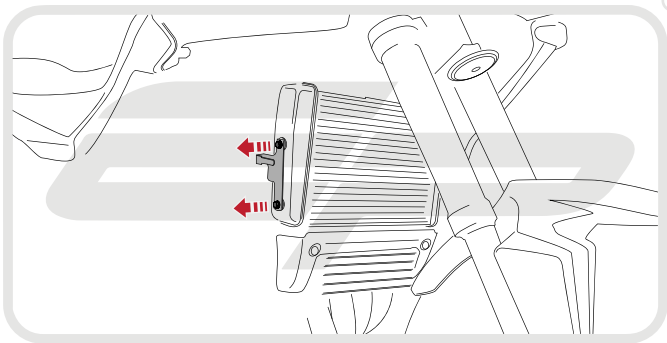
Kit Contents

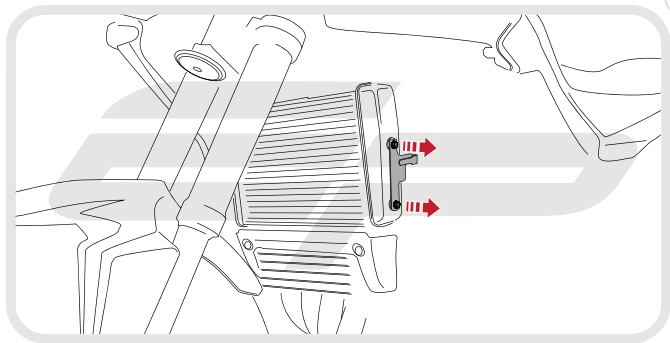
- Ⓐ 1 x Radiator Guard
- Ⓑ 1 x Neoprene Foam

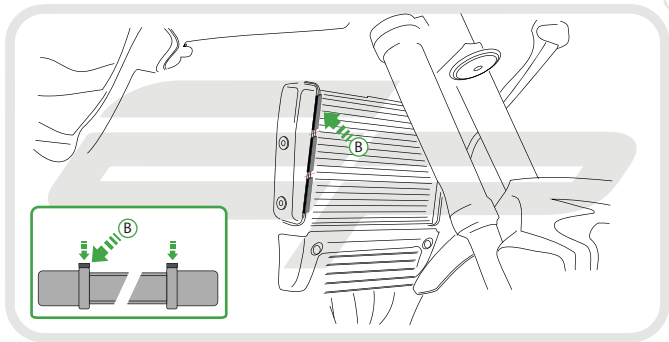


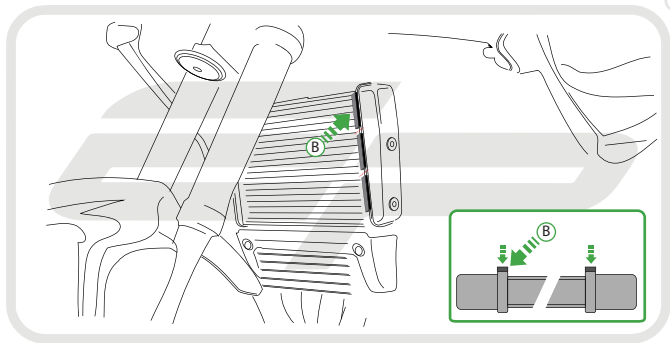


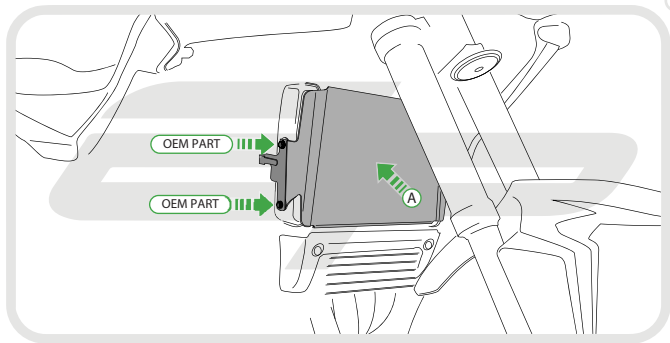




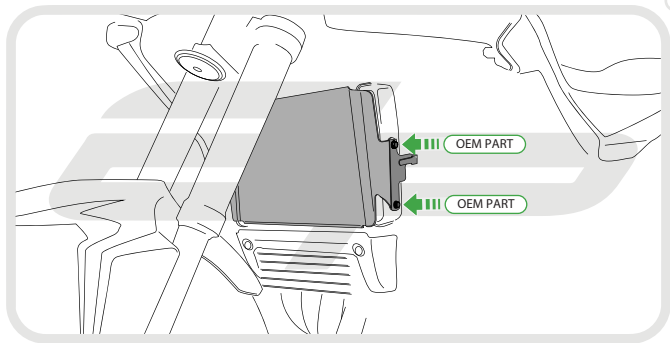








EVOTECH[®]
P E R F O R M A N C E





Reverse Stages

3 - 1



ESSENTIAL CHECKS



It is recommended that periodic inspections are made to ensure that dirt and debris have not become trapped between the guard and the radiator/oil cooler. Such dirt and debris would reduce the cooling efficiency of the radiator/oil cooler.

It is recommended that periodic inspections are made to ensure that all fixings are fully tightened.



EVOTECH®
P E R F O R M A N C E

www.evotech-performance.com