



EVOTECH®
P E R F O R M A N C E

Installation Instructions

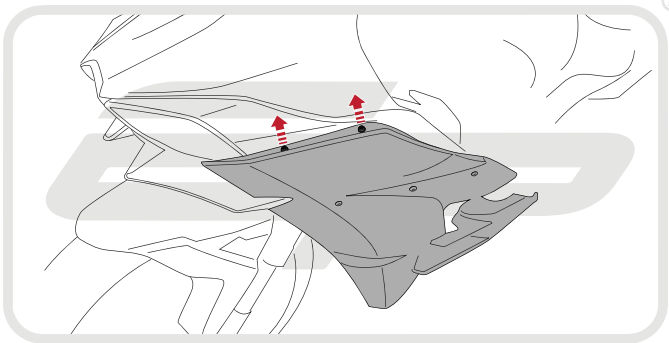


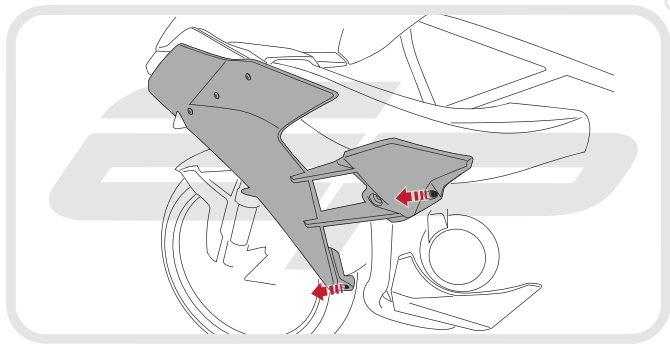
KAWASAKI H2 2015 RADIATOR GUARD

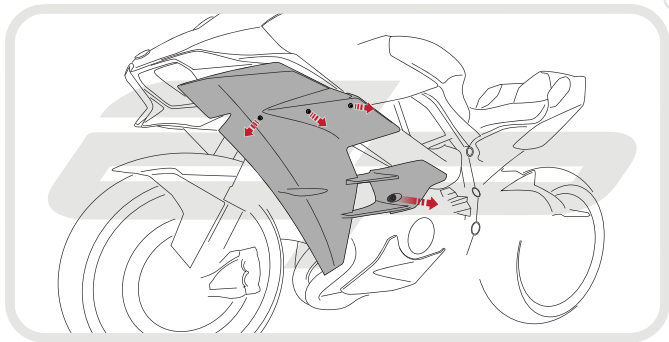
Product Reference - 12366

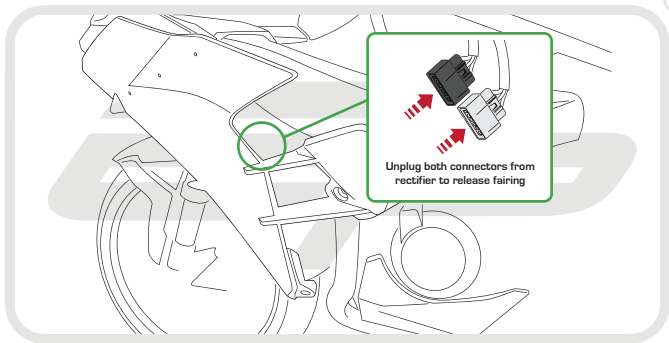
Kit Contents

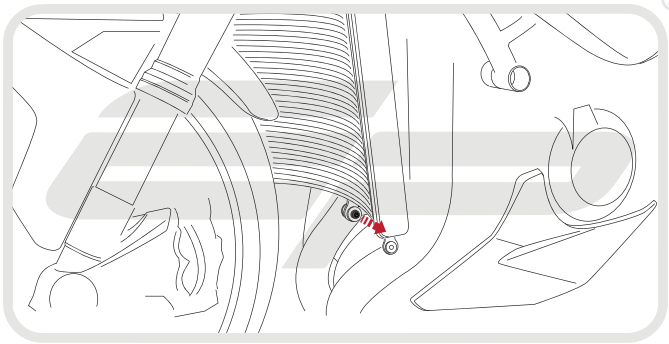
- Ⓐ 1 x Radiator Guard
- Ⓑ 1 x Neoprene Foam

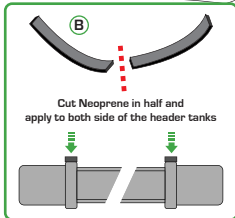




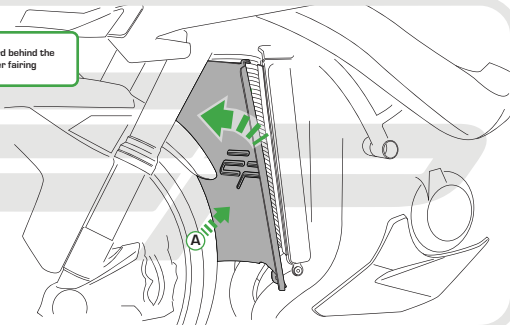


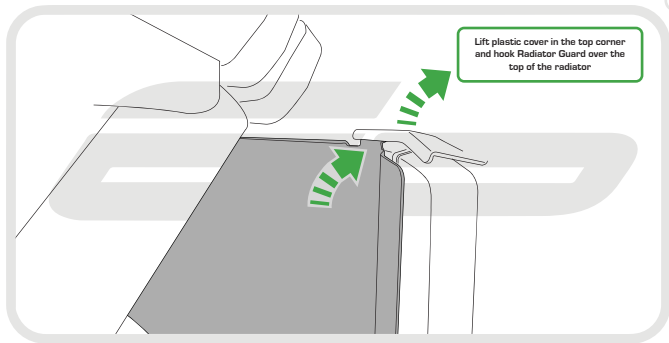




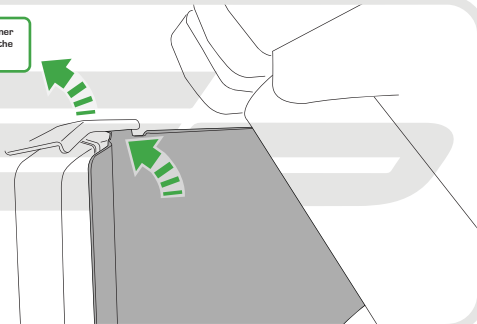


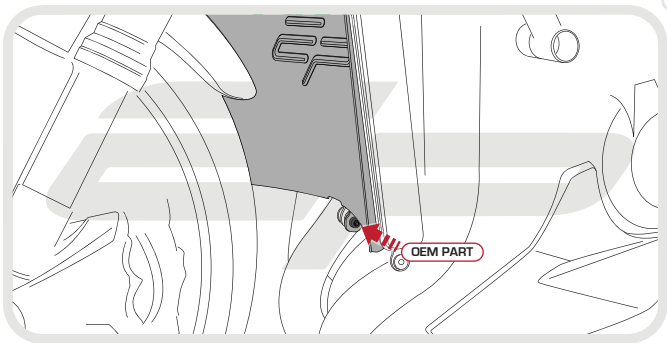
Tuck Radiator Guard behind the
right hand inner fairing





Lift plastic cover in the top corner and hook Radiator Guard over the top of the radiator







Reverse Stages

4 - 1



ESSENTIAL CHECKS

It is recommended that periodic inspections are made to ensure that dirt and debris have not become trapped between the guard and the radiator/oil cooler. Such dirt and debris would reduce the cooling efficiency of the radiator/oil cooler.

It is recommended that periodic inspections are made to ensure that all fixings are fully tightened.



EVOTECH®
P E R F O R M A N C E

www.evotech-performance.com