



EVOTECH®
P E R F O R M A N C E

Installation Instructions

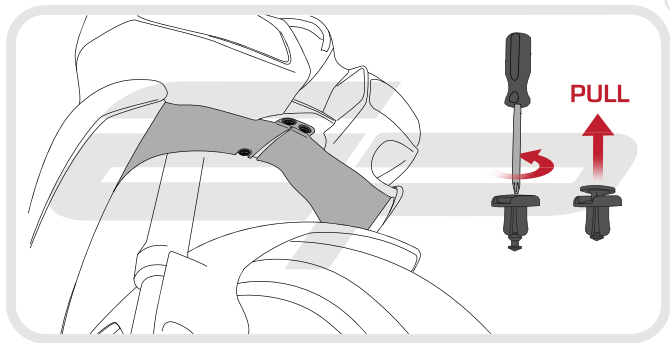


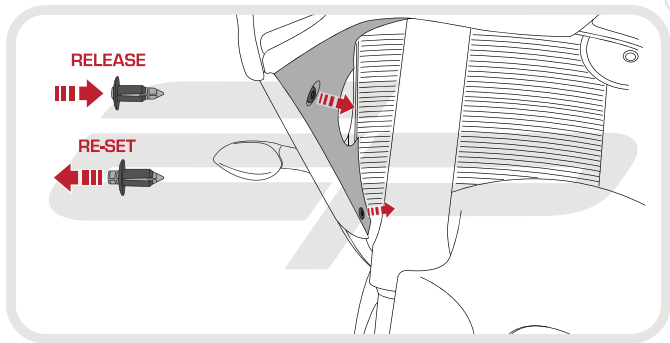
YAMAHA YZF-R6 2006 ONWARDS RADIATOR GUARD

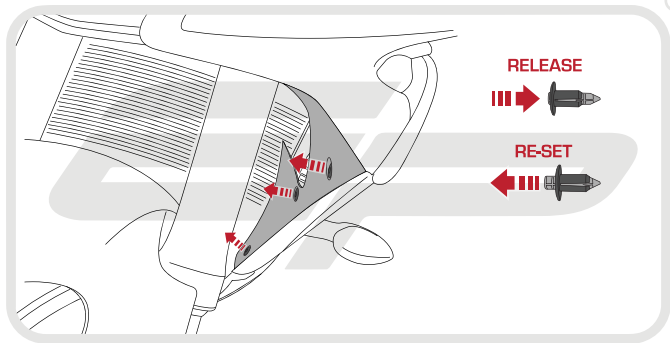
Product Reference - 12122

Kit Contents

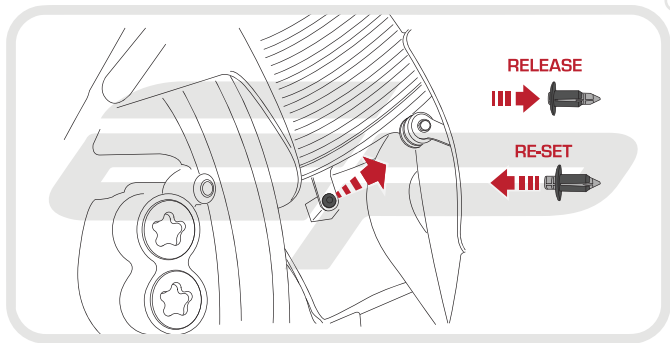
- Ⓐ 1 x Radiator Guard
- Ⓑ 1 x Neoprene Foam

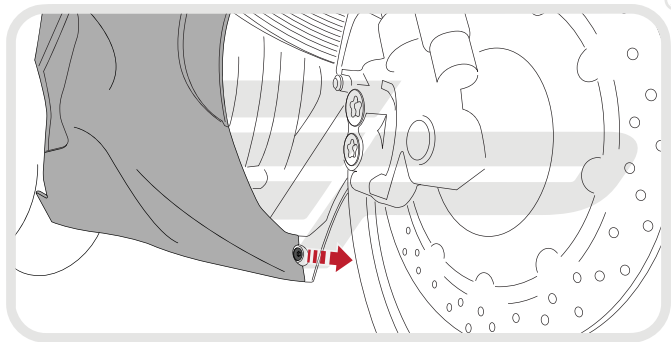


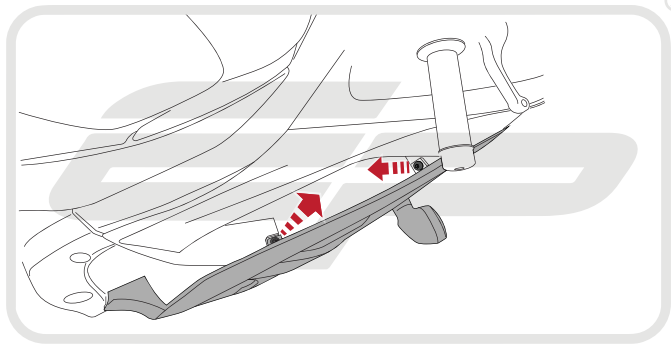


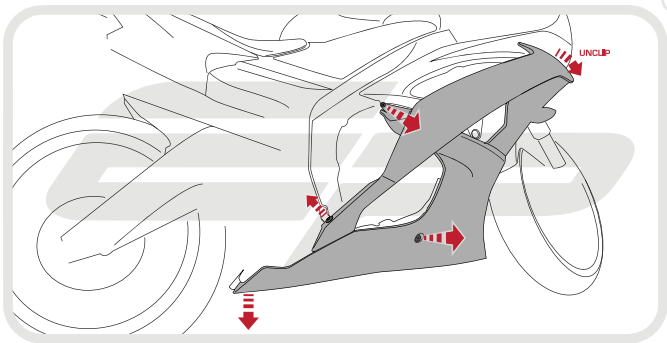


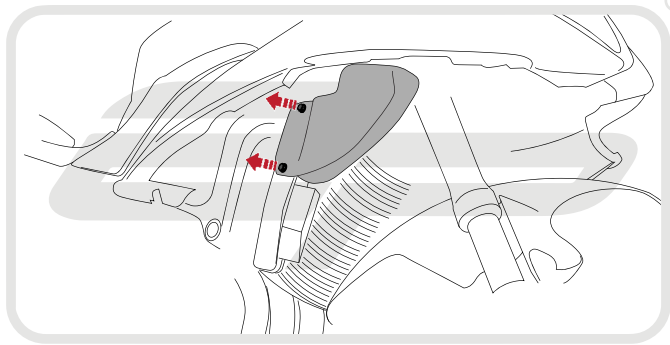
EVOTECH[®]
P E R F O R M A N C E

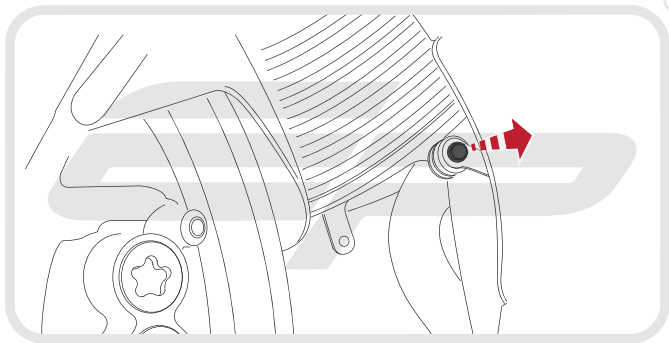


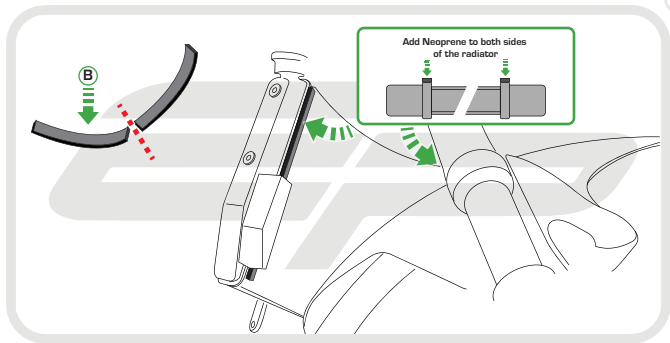


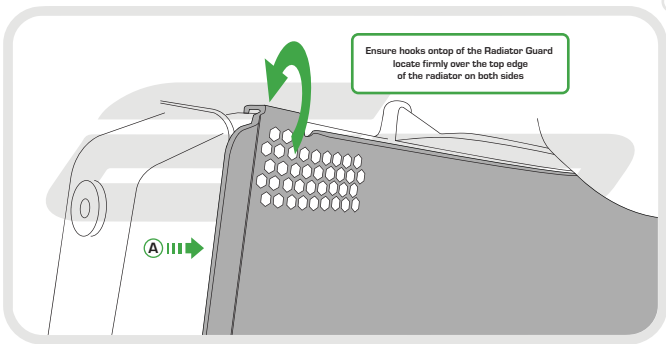




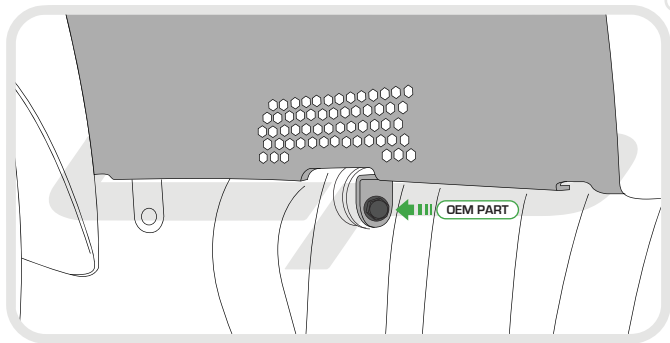








Ensure hooks on top of the Radiator Guard
locate firmly over the top edge
of the radiator on both sides





Reverse Stages

8 - 1



ESSENTIAL CHECKS

It is recommended that periodic inspections are made to ensure that dirt and debris have not become trapped between the guard and the radiator/oil cooler. Such dirt and debris would reduce the cooling efficiency of the radiator/oil cooler.

It is recommended that periodic inspections are made to ensure that all fixings are fully tightened.



EVOTECH®
P E R F O R M A N C E

www.evotech-performance.com