



EVOTECH®
P E R F O R M A N C E

Installation Instructions

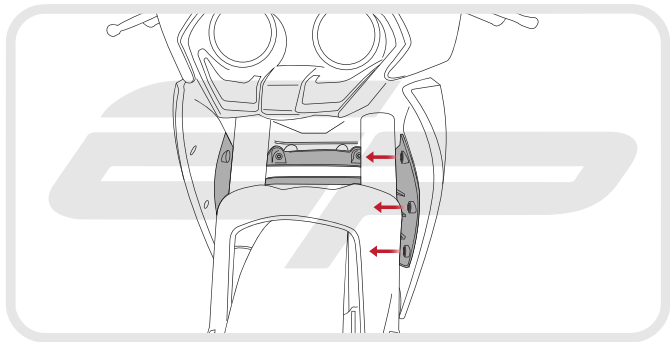


KTM RC125 2014 RADIATOR GUARD

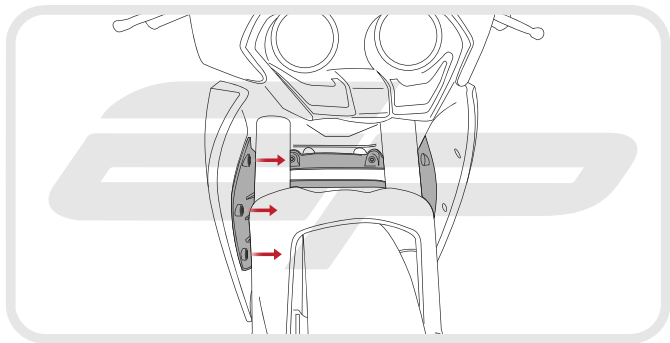
Product Reference - 11965

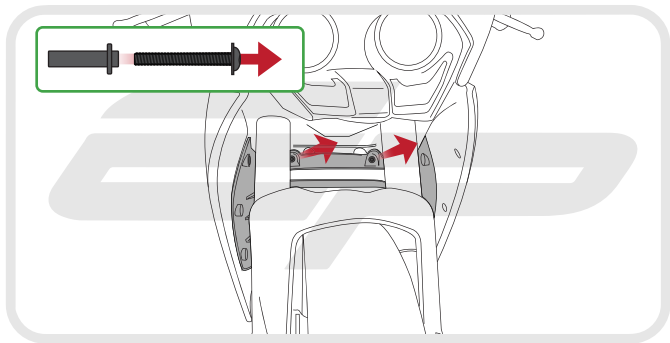
Kit Contents

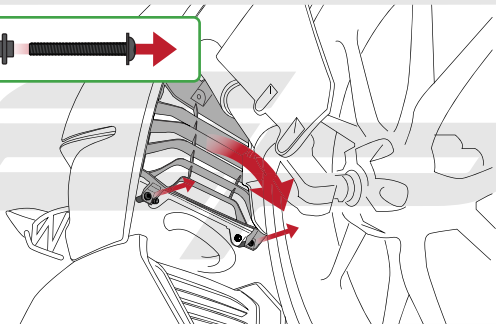
- Ⓐ 1 x Radiator Guard
- Ⓑ 2 x 50mm x 10mm x 4mm

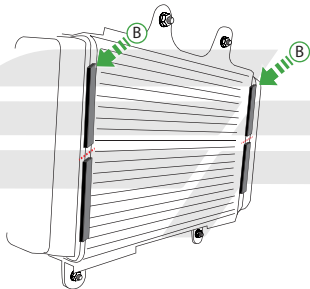


EVOTECH[®]
P E R F O R M A N C E

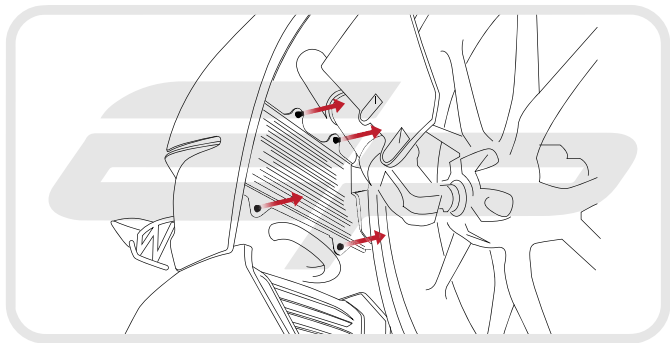






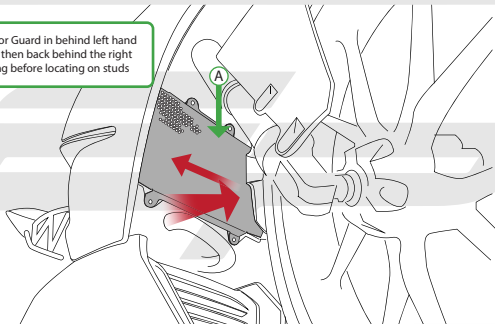


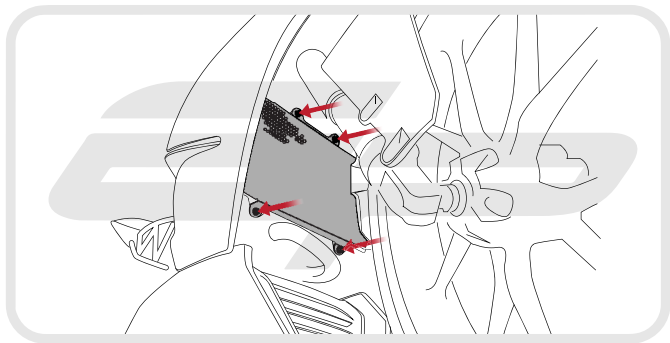
EVOTECH[®]
P E R F O R M A N C E





Slide Radiator Guard in behind left hand fairing and then back behind the right hand fairing before locating on studs





EVOTECH[®]
P E R F O R M A N C E



Reverse Stages
4 - 1



Maintenance

It is recommended that periodic inspections are made to ensure that dirt and debris have not become trapped between the guard and the radiator/oil cooler. Such dirt and debris would reduce the cooling efficiency of the radiator/oil cooler



EVOTECH®
P E R F O R M A N C E

www.evotech-performance.com