



EVOTECH®
P E R F O R M A N C E

Installation Instructions

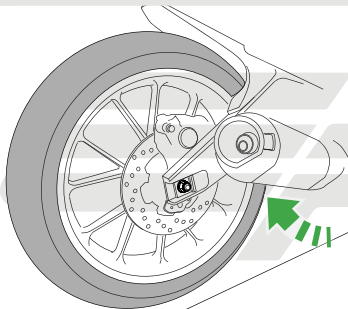


YAMAHA MT125
REMOTE PADDOCK BOBBINS

Product Reference - 11954

Kit Contents

- A** 2 x Chain Adjuster Blocks
- B** 2 x Paddock Bobbins
- C** 2 x Bobbin Spacers
- D** 2 x M8 - 45 Cap Head Bolts
- E** 2 x M8 Washers



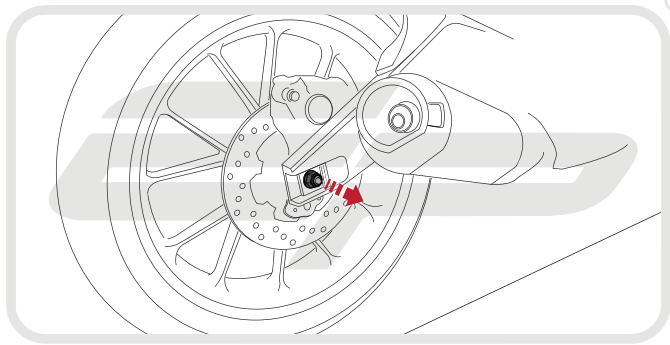
Caution

Securely locate the front wheel in a wheel chock or similar device.

Lift the back end of the motorcycle off of the ground using an engine lift or similar device.

Only raise the wheel until it is just off of the ground.

ENSURE THE WHEEL IS FREE TO ROTATE BEFORE PROCEEDING

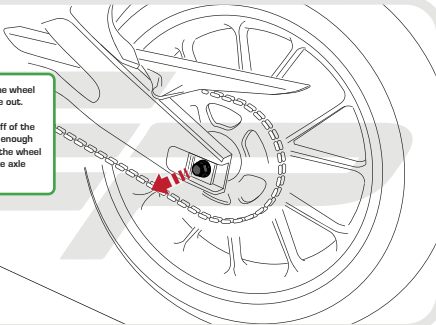




Caution

Support the weight of the wheel and slide the rear axle out.

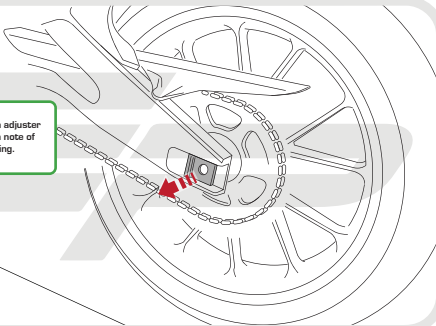
With the bike only just off of the ground there should be enough slack in the chain to rest the wheel on the ground once the axle is removed.

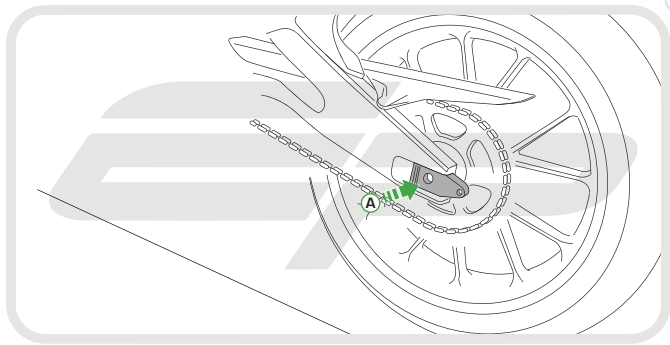


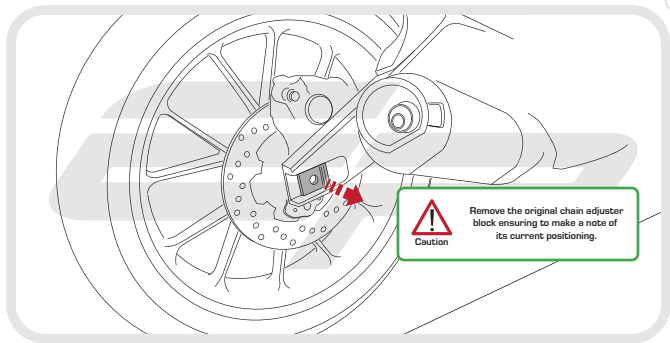


Caution

Remove the original chain adjuster block ensuring to make a note of its current positioning.







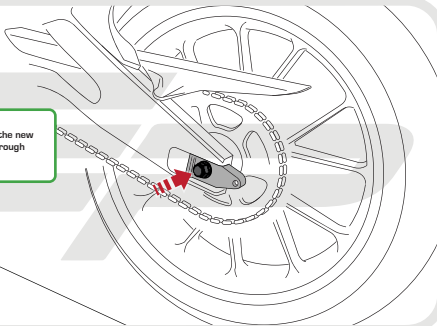
Caution

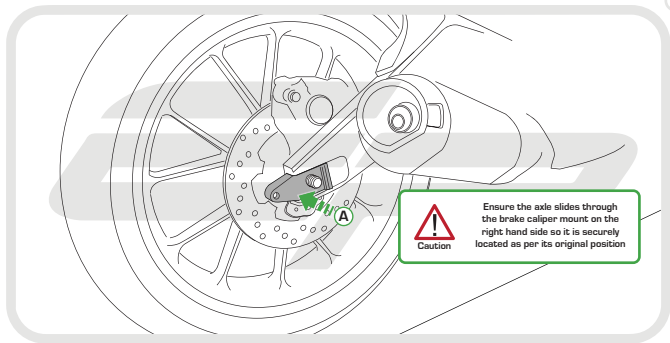
Remove the original chain adjuster block ensuring to make a note of its current positioning.



Caution

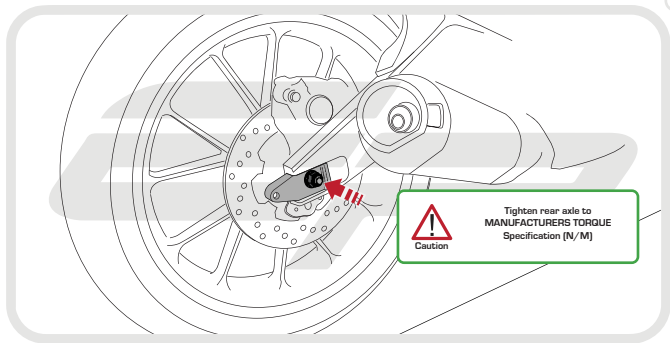
Slide rear axle through the new adjuster block and through the wheel.

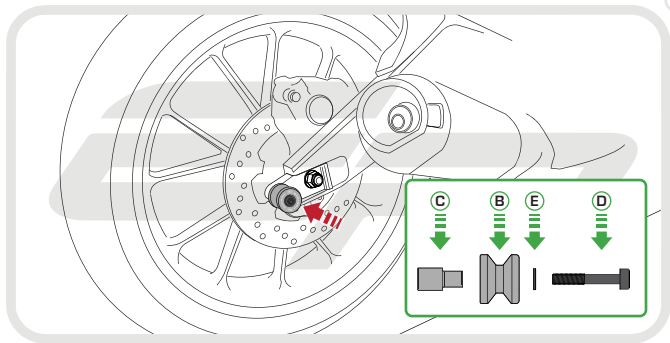


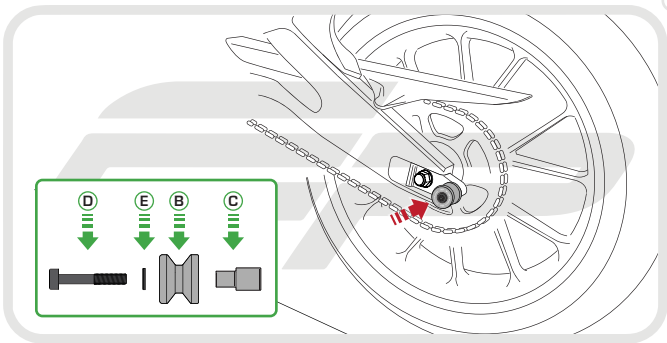


Caution

Ensure the axle slides through the brake caliper mount on the right hand side so it is securely located as per its original position









EVOTECH[®]
P E R F O R M A N C E

www.evotech-performance.com