



**EVOTECH**<sup>®</sup>  
P E R F O R M A N C E

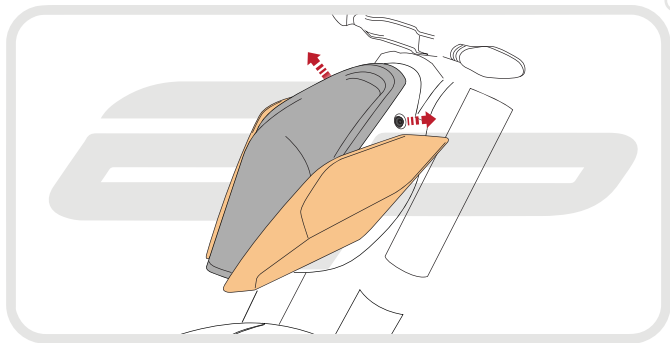
Installation Instructions  
KTM 1290 Super Duke R  
Headlight Guard

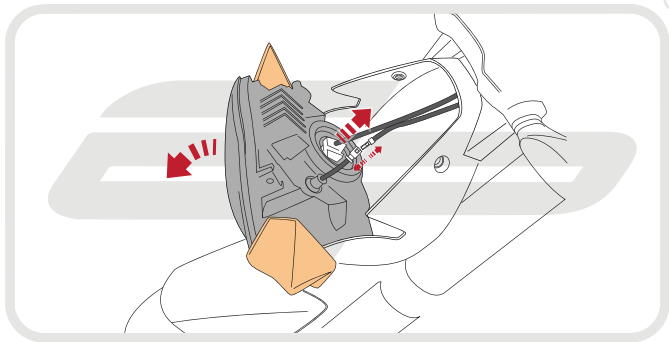


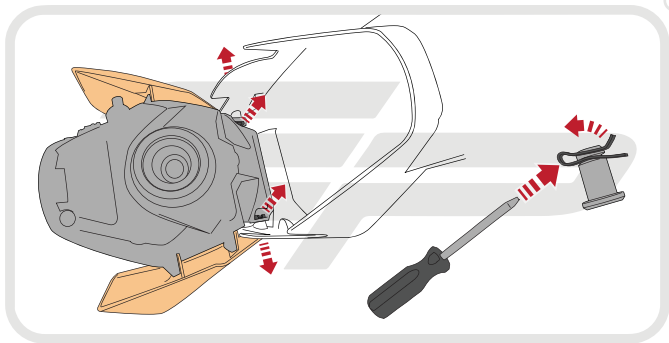
Product Reference - 011727

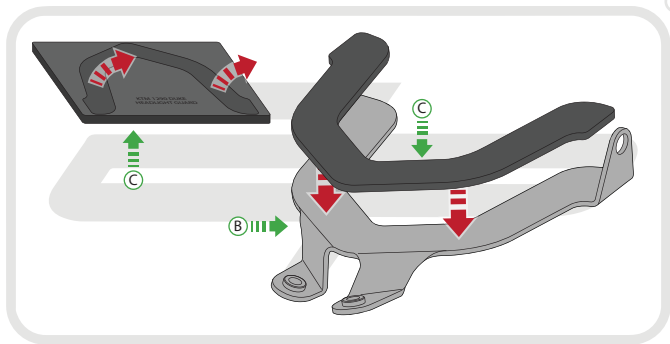
## Kit Contents

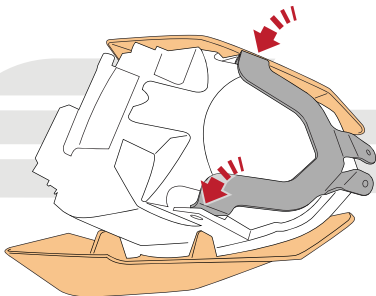
- |                         |                                    |
|-------------------------|------------------------------------|
| (A) 1 x Headlight Guard | (F) 2 x M5 - 30 Grub Screws        |
| (B) 1 x Lower Bracket   | (G) 2 x Rubber Grommets            |
| (C) 1 x Neoprene Pad    | (H) 2 x Lower Pivots               |
| (D) 1 x Neoprene Strip  | (I) 2 x M5 - 8 Socket Button Heads |
| (E) 2 x Mounting Bosses |                                    |

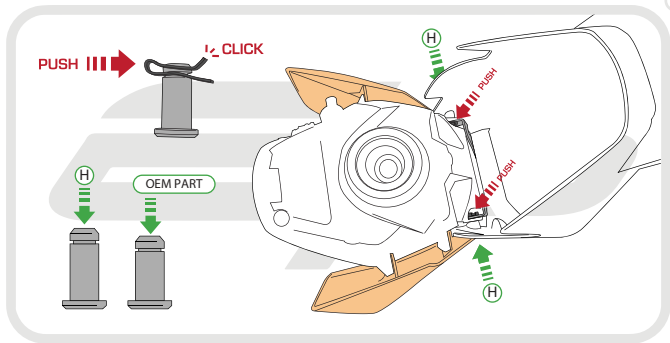




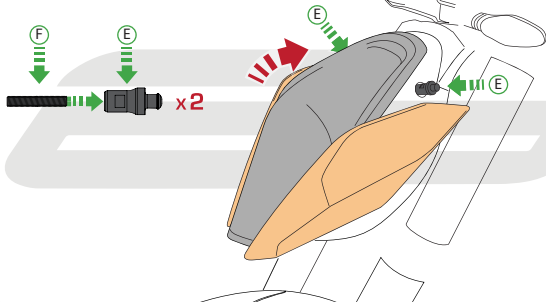


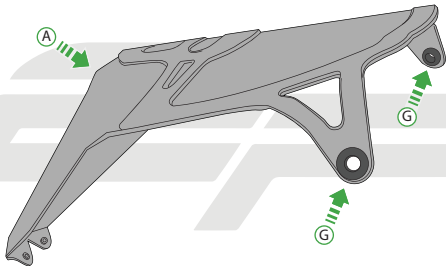


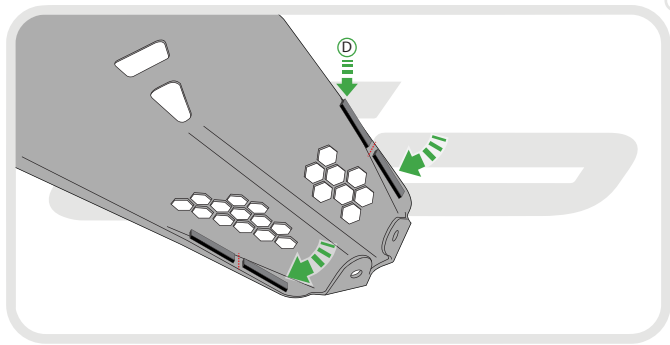




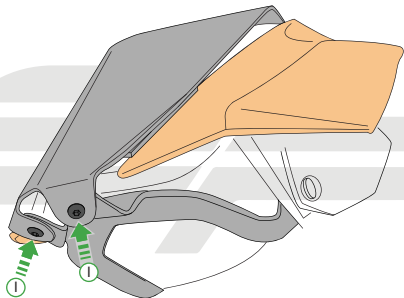




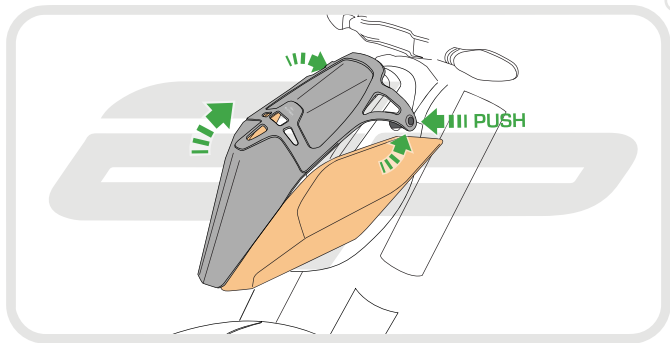




**EVOTECH**<sup>®</sup>  
P E R F O R M A N C E

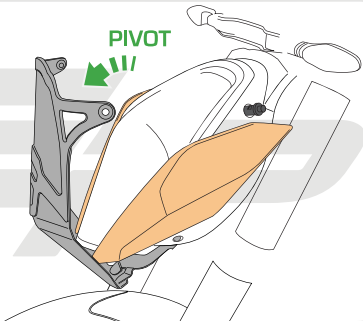


**EVOTECH**<sup>®</sup>  
P E R F O R M A N C E



To clean the headlight lens, release the top mounts and pivot the headlight guard forwards

PIVOT





## ESSENTIAL CHECKS

It is recommended that periodic inspections are made to ensure that dirt and debris have not become trapped between the guard and the headlight. Such dirt and debris would reduce the efficiency of the headlight.

It is recommended that periodic inspections are made to ensure that all fixings are fully tightend.



**EVOTECH**®  
P E R F O R M A N C E

[www.evotech-performance.com](http://www.evotech-performance.com)