



**EVOTECH**®  
P E R F O R M A N C E

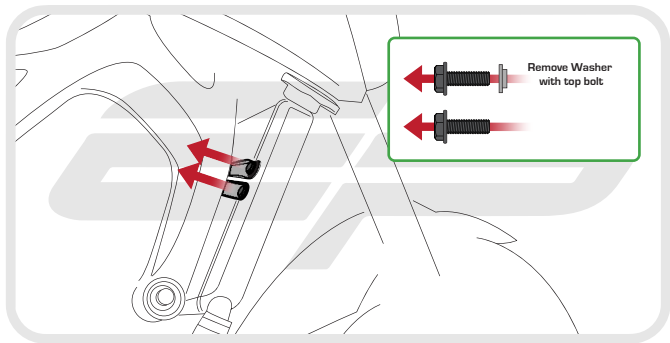
**Installation Instructions**

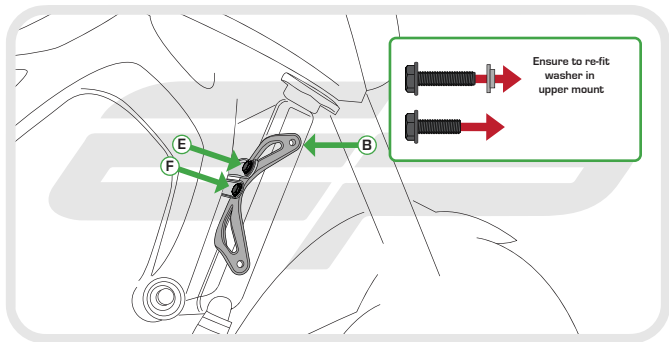
## YAMAHA MT-09 2013 RADIATOR GUARD

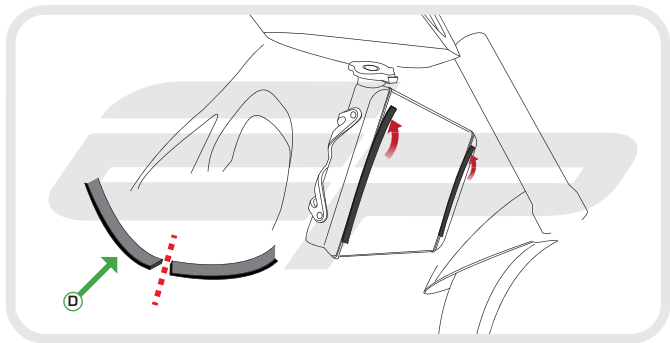
Product Reference - 11298

### Kit Contents

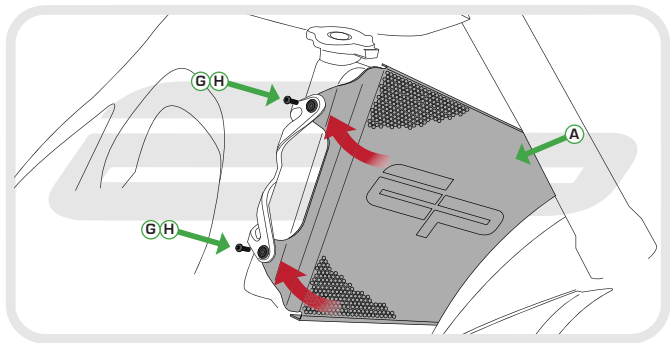
- |                           |                                   |
|---------------------------|-----------------------------------|
| Ⓐ 1 x Radiator Guard      | Ⓔ 1 x M6 x 20 Flange Hex Bolts    |
| Ⓑ 1 x RH Mounting Bracket | Ⓕ 2 x M6 x 12 Flange Hex Bolts    |
| Ⓒ 1 x LH Mounting Bracket | Ⓖ 4 x M4 x 8 Socket Button Screws |
| Ⓓ 1 x Neoprene Foam       | Ⓗ 4 x M4 Washers                  |





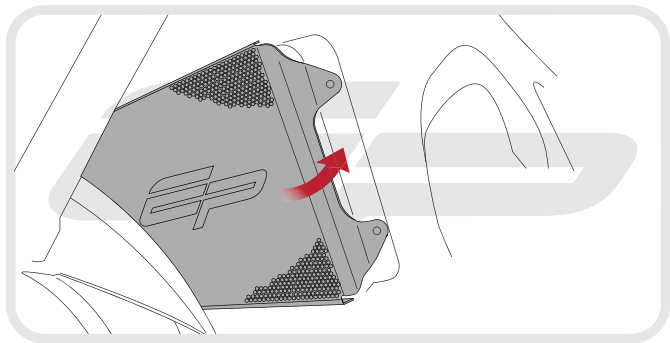


**EVOTECH**<sup>®</sup>  
P E R F O R M A N C E



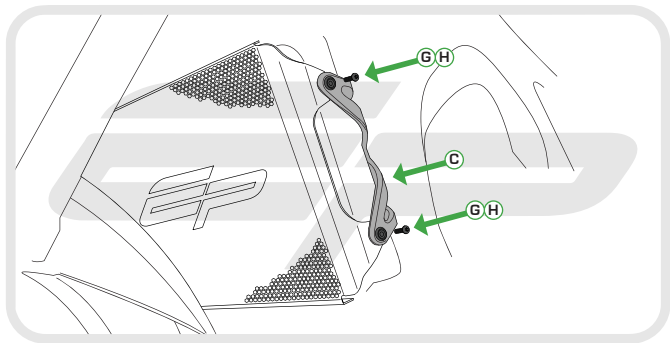
**EVOTECH**<sup>®</sup>  
P E R F O R M A N C E

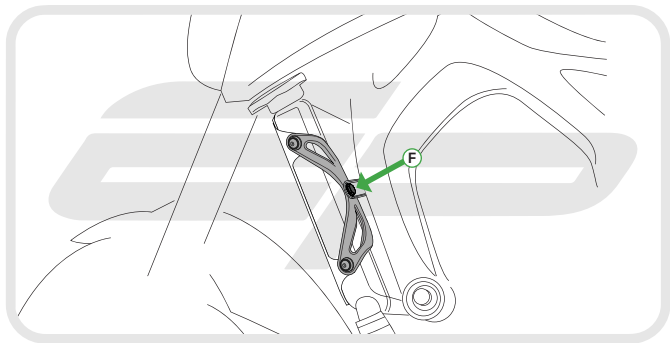




**EVOTECH**<sup>®</sup>  
P E R F O R M A N C E







**EVOTECH**<sup>®</sup>  
P E R F O R M A N C E



### Maintenance

It is recommended that periodic inspections are made to ensure that dirt and debris have not become trapped between the guard and the radiator/oil cooler. Such dirt and debris would reduce the cooling efficiency of the radiator/oil cooler



**EVOTECH**<sup>®</sup>  
P E R F O R M A N C E

[www.evotech-performance.com](http://www.evotech-performance.com)