



EVOTECH®
P E R F O R M A N C E

Installation Instructions

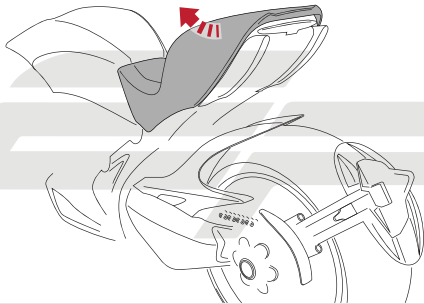


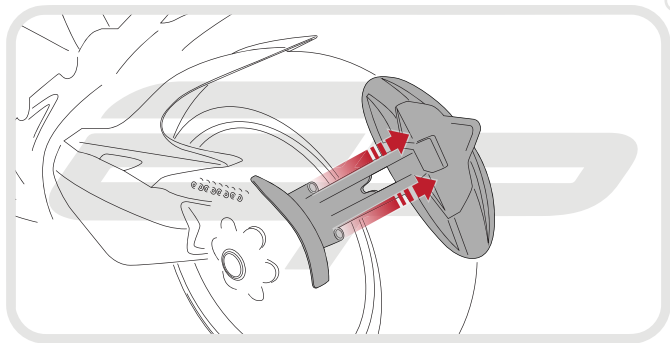
DUCATI DIAVEL DYNAMIC TAIL TIDY

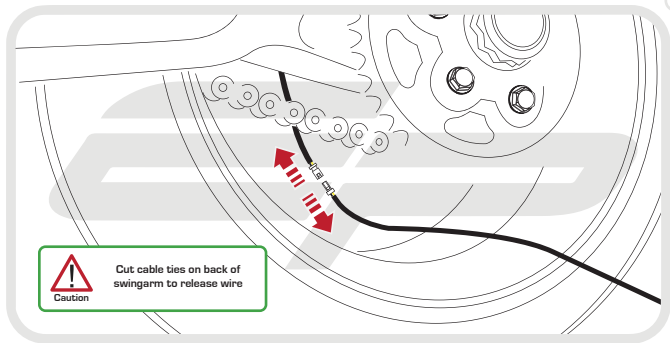
Product Reference - 9644

Kit Contents

- | | |
|--------------------------------------|---|
| A 1 x Central Grab Rail Arm | M 2 x M8 - 16 Socket Button Head Screws |
| B 1 x LH Rail Slider Plate | N 2 x M8 Custom Washers |
| C 1 x RH Rail Slider Plate | O 2 x M6 - 20 Socket Cap Head Screws |
| D 1 x Grab Rail | P 2 x M6 - 16 Centre Hole Trunions |
| E 1 x LH Cover Plate | Q 2 x M6 Black Cover Caps |
| F 1 x RH Cover Plate | R 2 x M4 - 16 Socket Countersink Screws |
| G 1 x Licence Plate Holder | S 2 x M4 - Centre Hole Trunions |
| H 1 x Licence Plate Light | T 2 x M3 - 12 Socket Button Head Screws |
| I 1 x Reflector | U 2 x Pairs of Bullet Connectors |
| J 1 x Reflector Bracket | V 6 x Cable Ties |
| K 1 x Wiring Loom Connector | W 16 x M4 - 10 Socket Countersink Screws |
| L 2 x Plastic Screws and Nuts | |

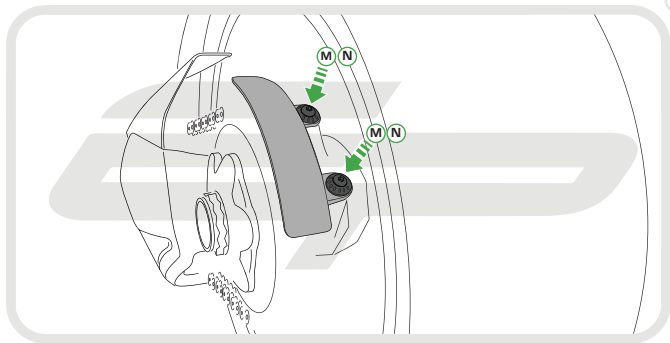


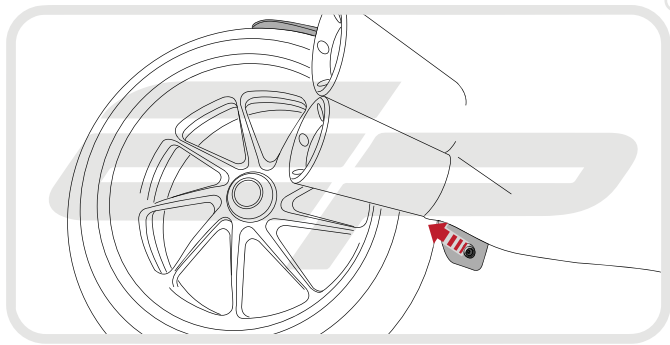


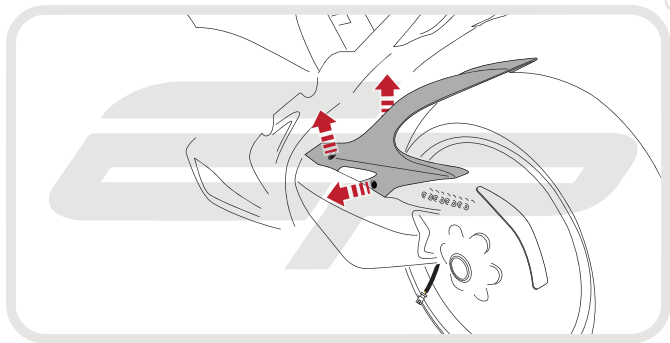


Caution

Cut cable ties on back of swingarm to release wire

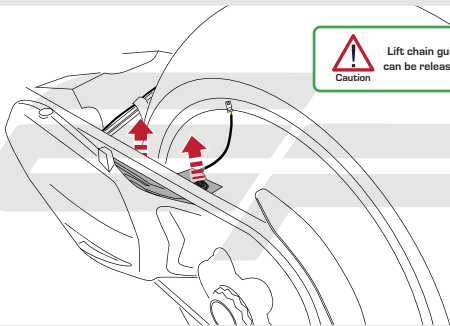






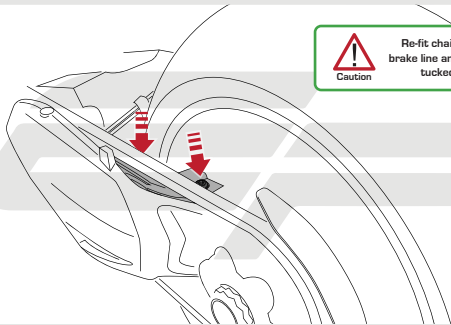


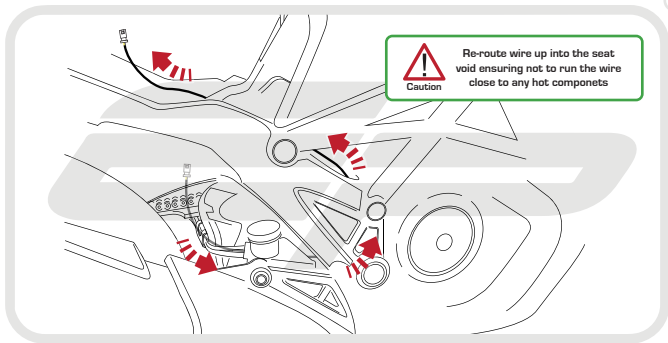
Lift chain guide so that the wire
can be released from underneath

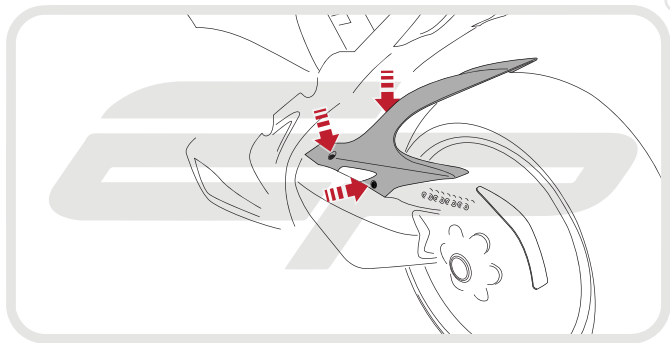


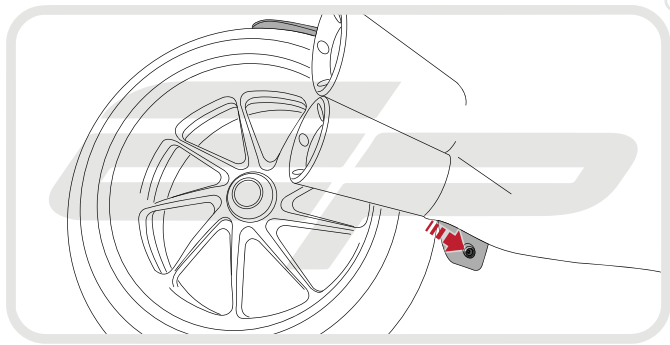


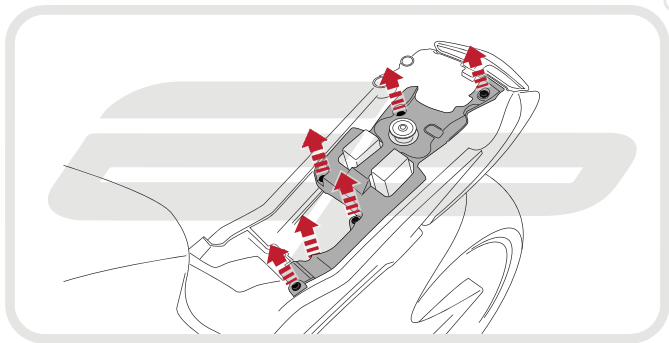
Re-fit chain guide ensuring
brake line and cables are neatly
tucked underneath

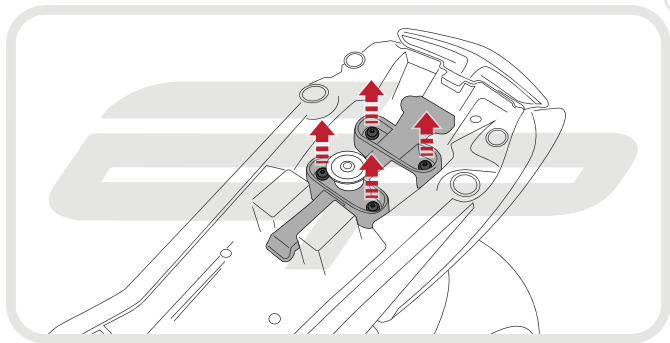


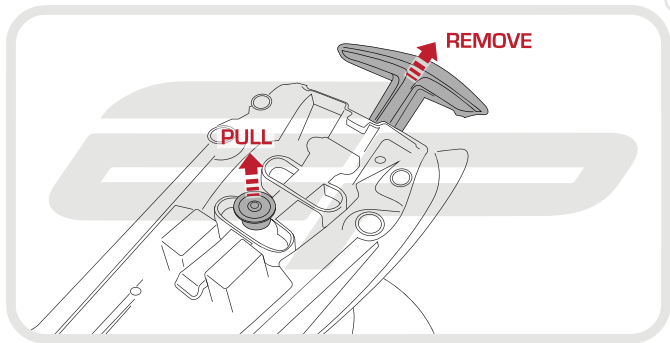


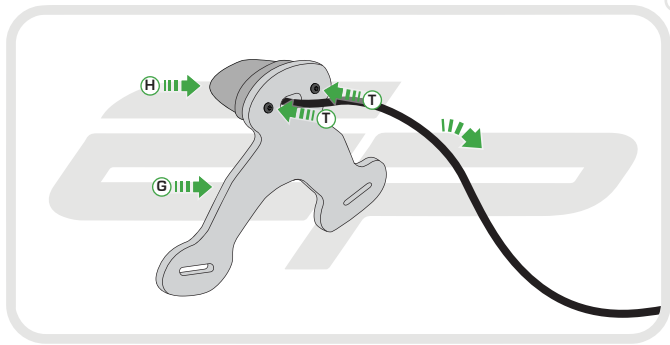


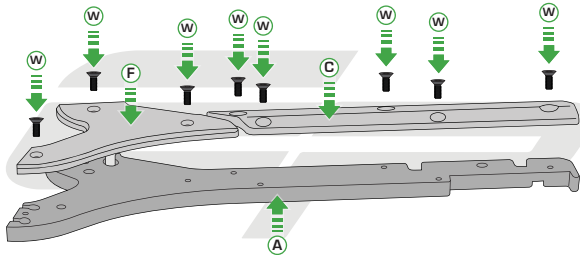


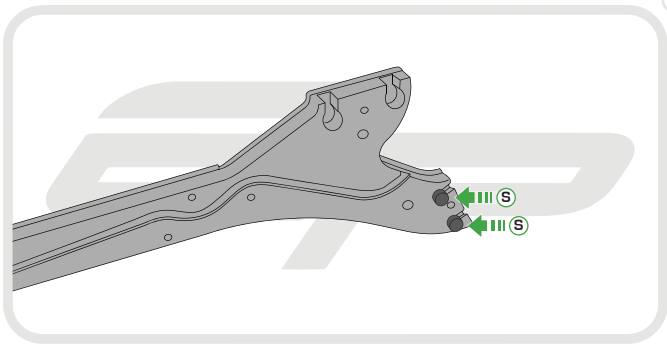




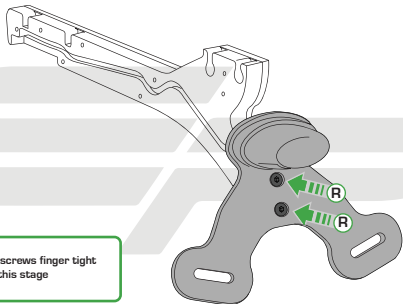








EVOTECH[®]
P E R F O R M A N C E



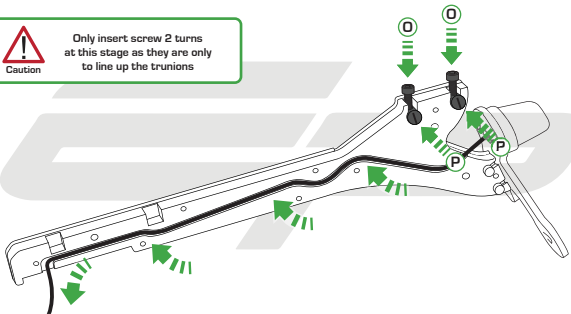
Caution

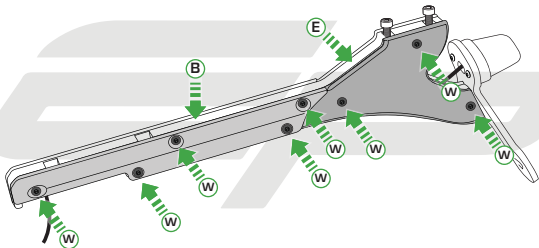
Only tighten screws finger tight
at this stage



Caution

Only insert screw 2 turns
at this stage as they are only
to line up the trunions

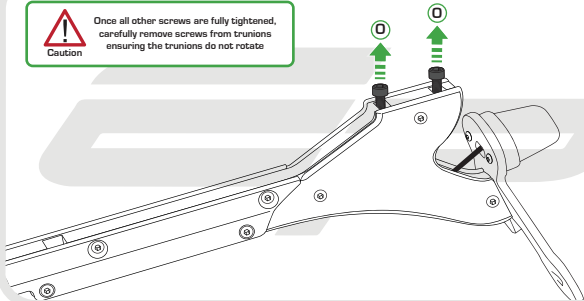






Caution

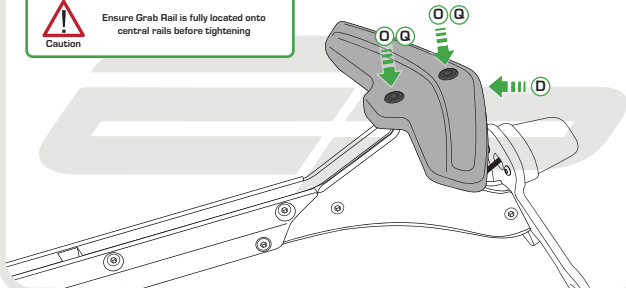
Once all other screws are fully tightened,
carefully remove screws from trunions
ensuring the trunions do not rotate





Caution

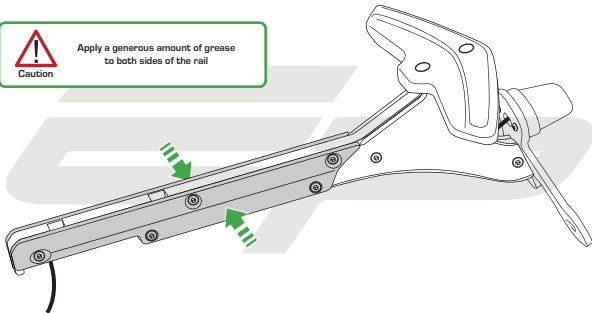
Ensure Grab Rail is fully located onto central rails before tightening





Caution

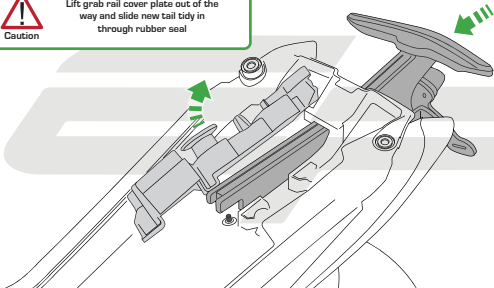
Apply a generous amount of grease
to both sides of the rail

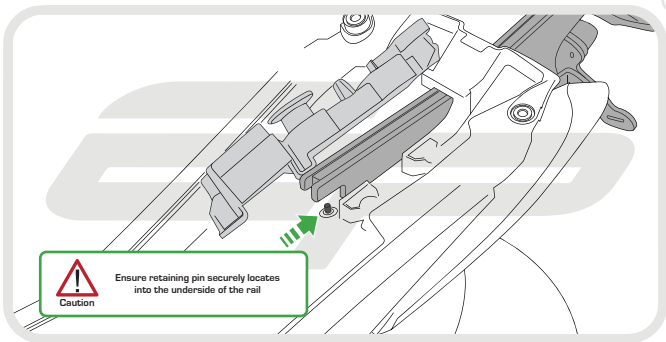


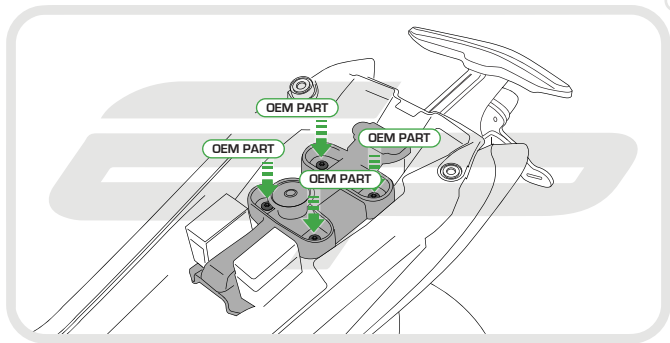


Caution

Lift grab rail cover plate out of the way and slide new tail tidy in through rubber seal



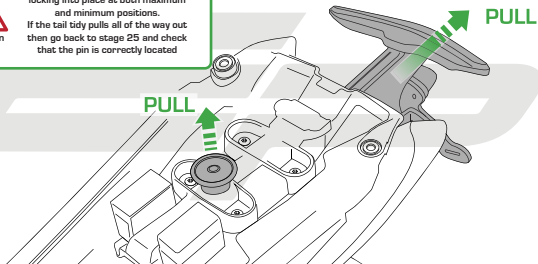


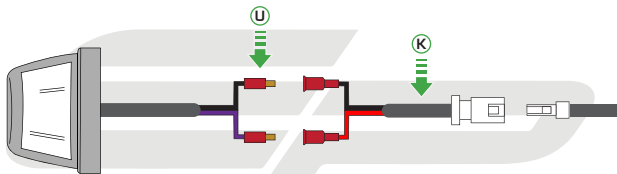


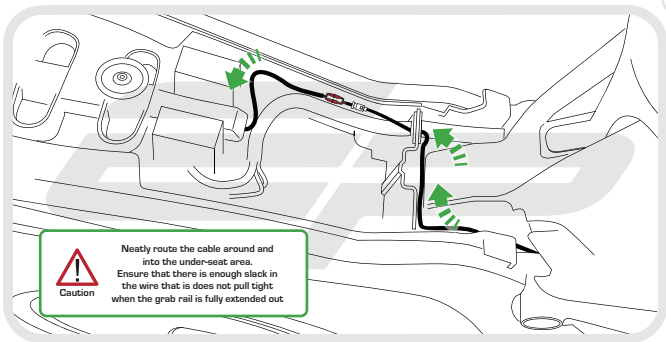


Caution

Test that the tail tidy slides in and out locking into place at both maximum and minimum positions.
If the tail tidy pulls all of the way out then go back to stage 25 and check that the pin is correctly located



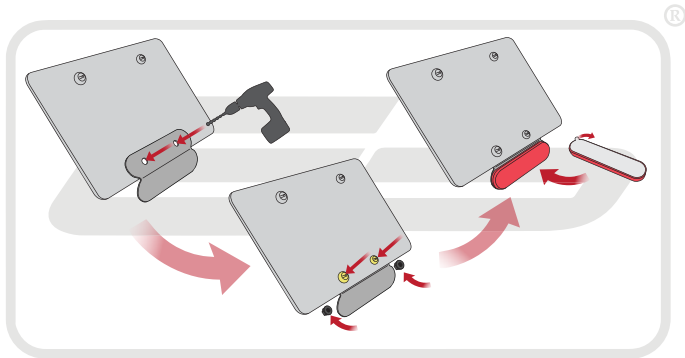






Reverse Stages
12 and 1

Reflector Bracket Installation



EVOTECH[®]
P E R F O R M A N C E



 **ESSENTIAL CHECKS** 

After installation of your tail tidy ensure that the licence plate does not contact the rear tyre when suspension is fully compressed.

Ensure all electrics including indicators, tail light, brake light and licence plate light lights are working correctly before riding the motorcycle.

It is recommended that periodic inspections are made to ensure that all fixings are fully tightend.



EVOTECH®
P E R F O R M A N C E

www.evotech-performance.com