



**EVOTECH**®  
P E R F O R M A N C E

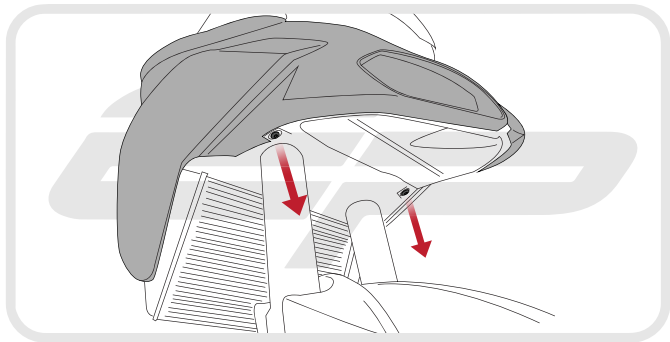
**Installation Instructions**

## DUCATI MULTISTRADA 2010 ONWARDS RADIATOR GUARD

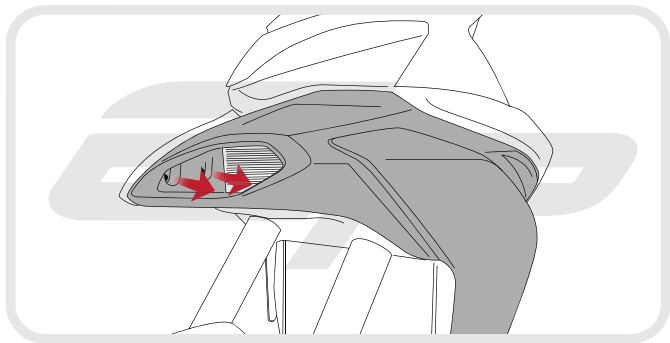
**Product Reference - 8592**

### **Kit Contents**

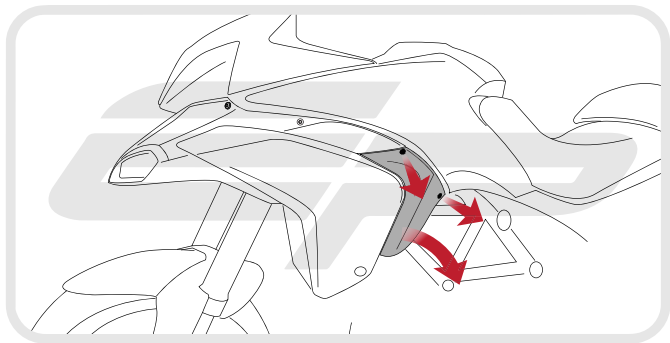
- A** 1 x Radiator Guard
- B** 1 x Neoprene Foam
- C** 2 x 20mm Rubber Pads

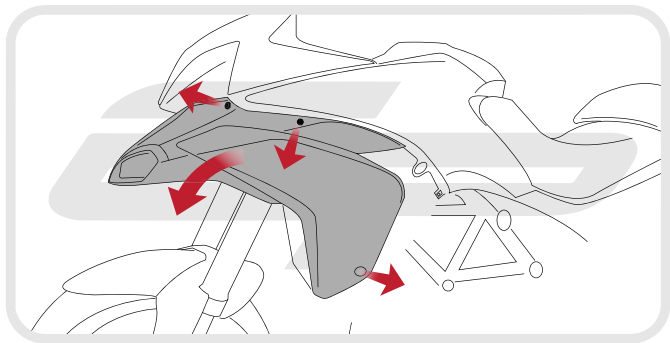


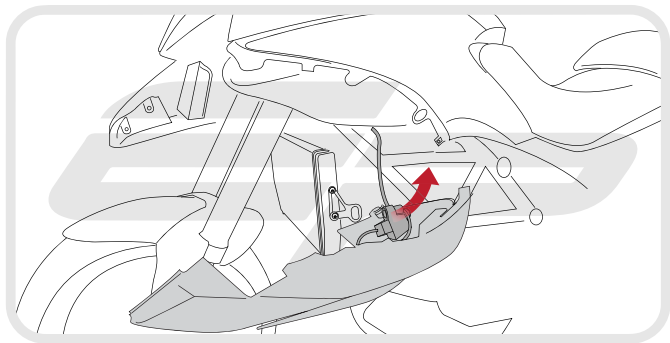
**EVOTECH**<sup>®</sup>  
P E R F O R M A N C E

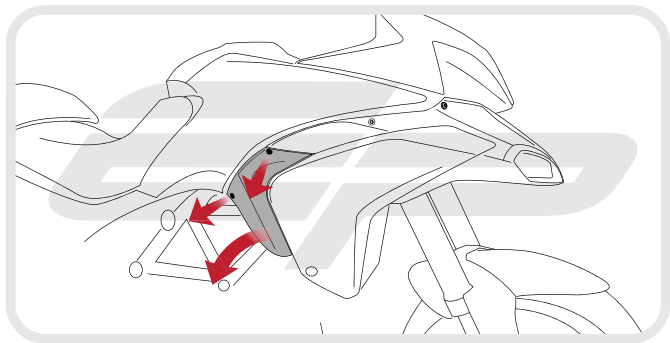


**EVOTECH**<sup>®</sup>  
P E R F O R M A N C E

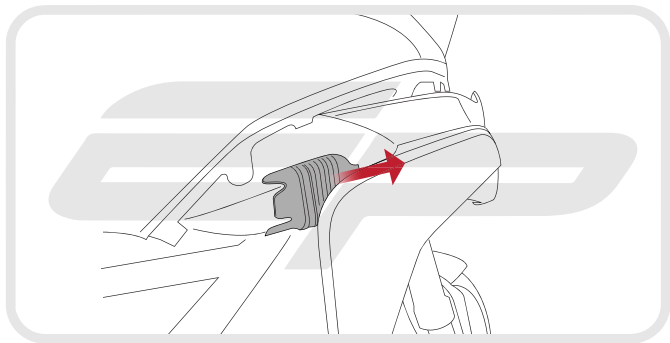








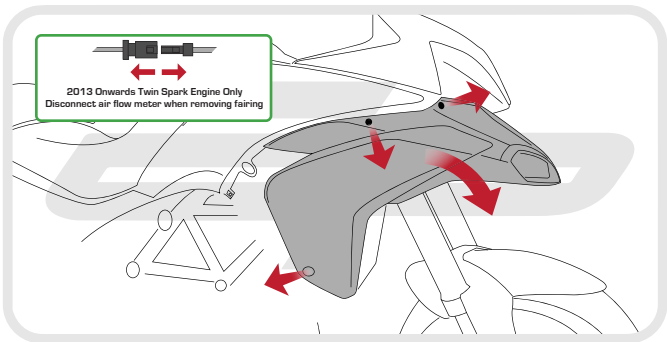


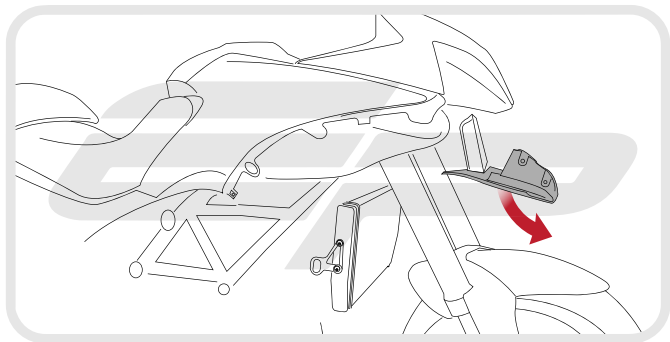


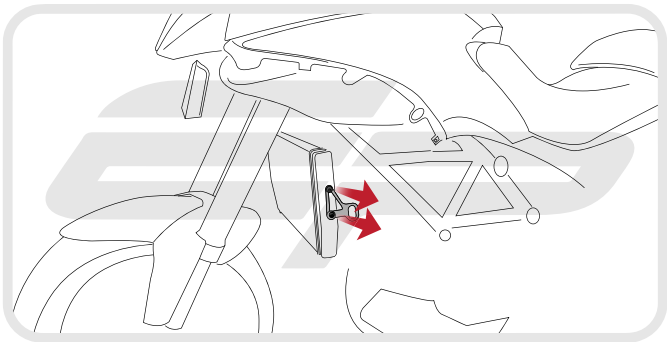
**EVOTECH**<sup>®</sup>  
P E R F O R M A N C E

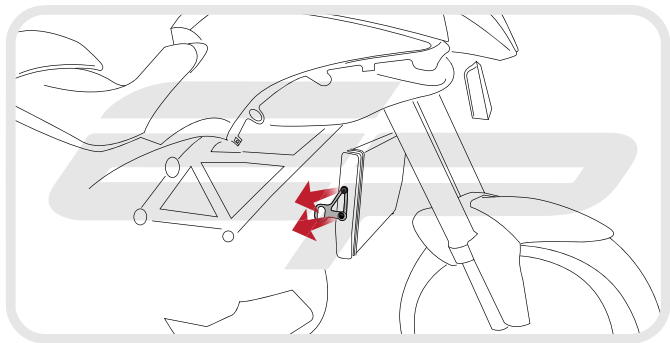


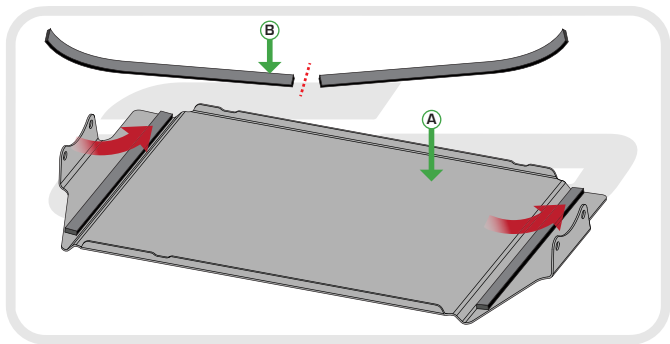
2013 Onwards Twin Spark Engine Only  
Disconnect air flow meter when removing fairing













Caution

**ENSURE RADIATOR GUARD  
FITS OVER THE TOP OF THE  
FAIRING MOUNTING BRACKET**



OEM PART

OEM PART



Caution

ENSURE RADIATOR GUARD  
FITS OVER THE TOP OF THE  
FAIRING MOUNTING BRACKET

OEM PART

OEM PART





Reverse Stages

9 - 1



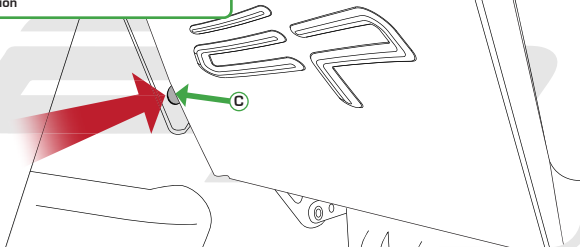
Caution

APPLY ADHESIVE PAD  
WHERE THE FAIRING IS  
CLOSE TO THE GUARD

C



APPLY ADHESIVE PAD  
WHERE THE FAIRING IS  
CLOSE TO THE GUARD





### Maintenance

It is recommended that periodic inspections are made to ensure that dirt and debris have not become trapped between the guard and the radiator/oil cooler. Such dirt and debris would reduce the cooling efficiency of the radiator/oil cooler



**EVOTECH**®  
P E R F O R M A N C E

[www.evotech-performance.com](http://www.evotech-performance.com)