



EVOTECH®
P E R F O R M A N C E

Installation Instructions

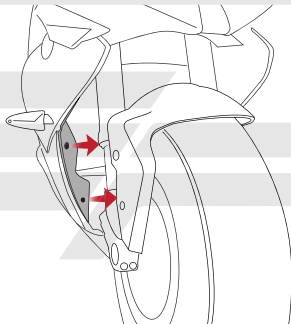


BMW S1000 RR - 2010 ONWARDS
OIL COOLER GUARD

Product Reference - 8185

Kit Contents

- (A)** 1 x Oil Cooler Guard
- (B)** 1 x Neoprene Foam

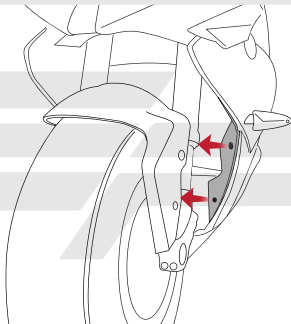


x 2

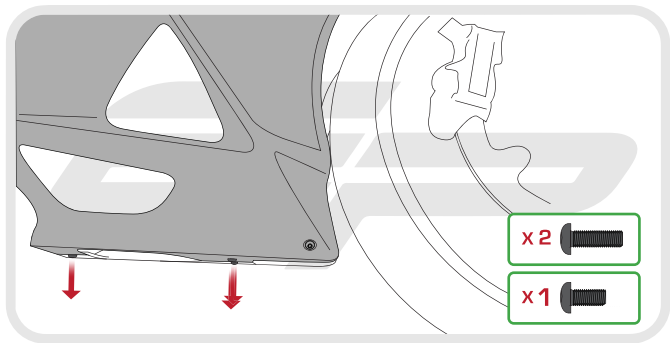


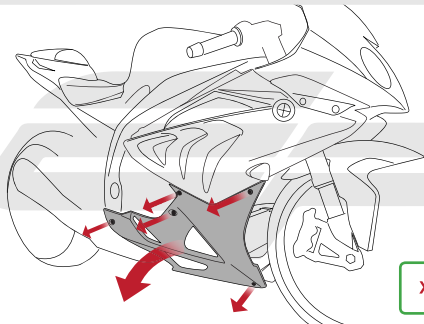


x 2



EVOTECH[®]
P E R F O R M A N C E



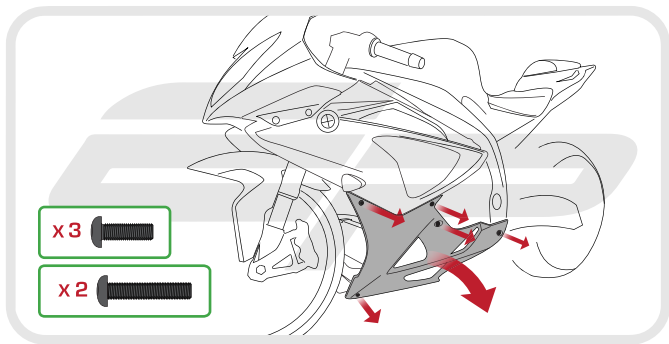


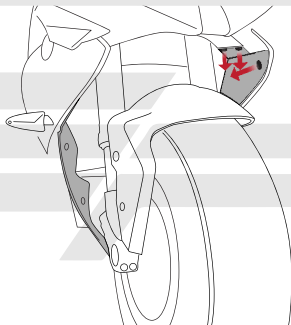
x3



x2

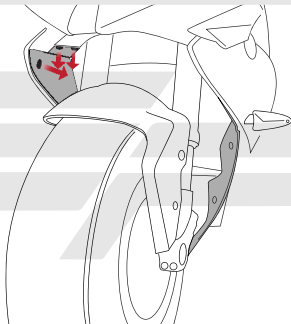






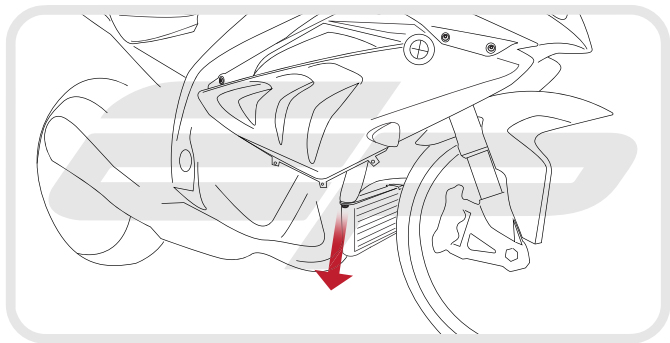
x3

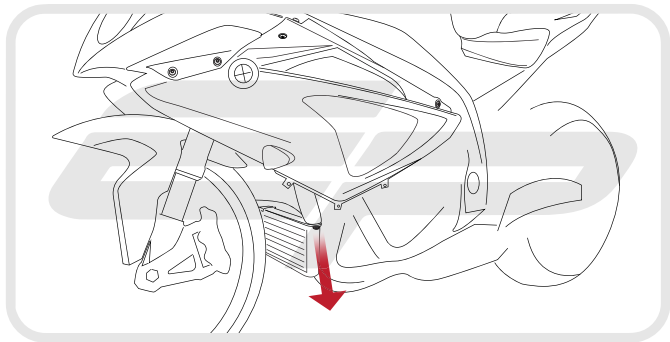


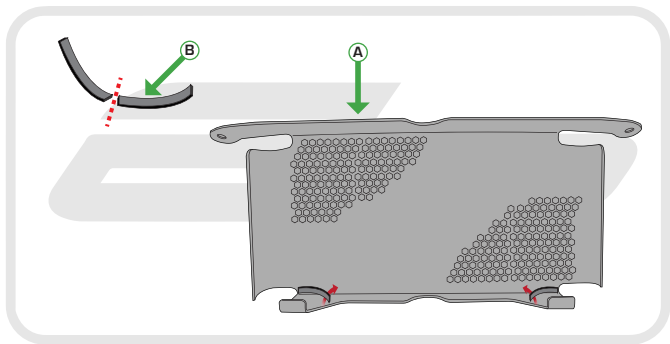


x3

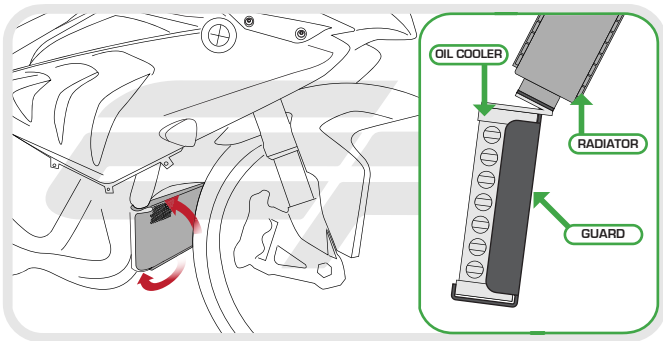


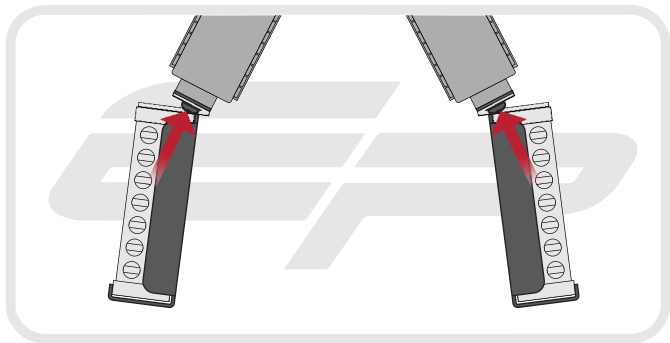






EVOTECH[®]
P E R F O R M A N C E







Reverse Stages

7 - 1



Maintenance

It is recommended that periodic inspections are made to ensure that dirt and debris have not become trapped between the guard and the radiator/oil cooler. Such dirt and debris would reduce the cooling efficiency of the radiator/oil cooler



EVOTECH®
P E R F O R M A N C E

www.evotech-performance.com