



EVOTECH®
P E R F O R M A N C E

Installation Instructions

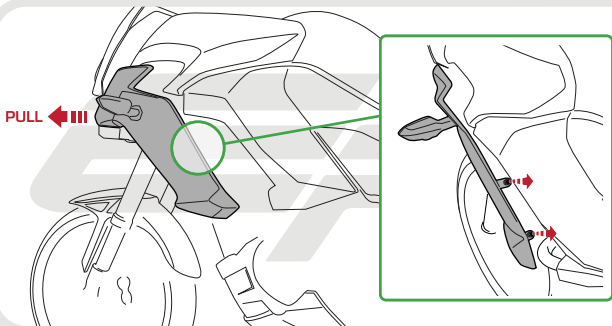


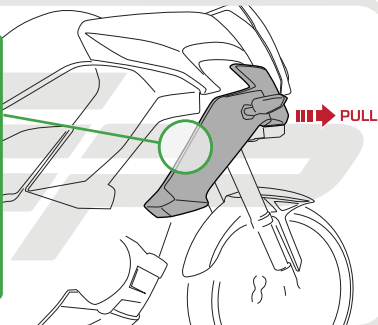
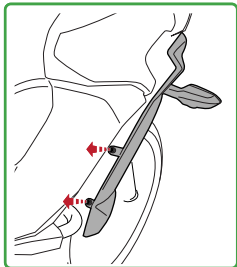
KAWASAKI VERSYS 1000 RADIATOR GUARD

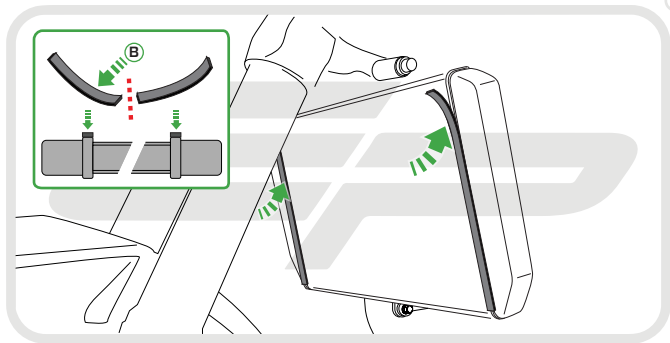
Product Reference - 7850

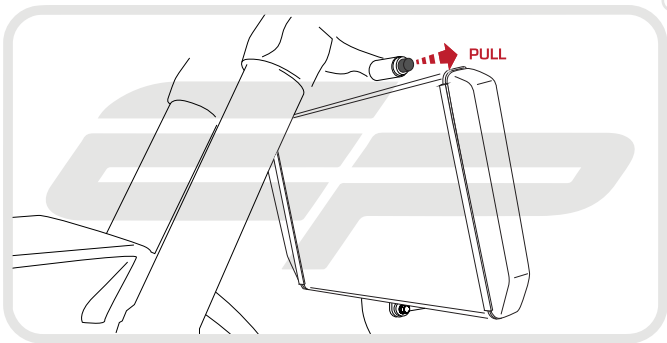
Kit Contents

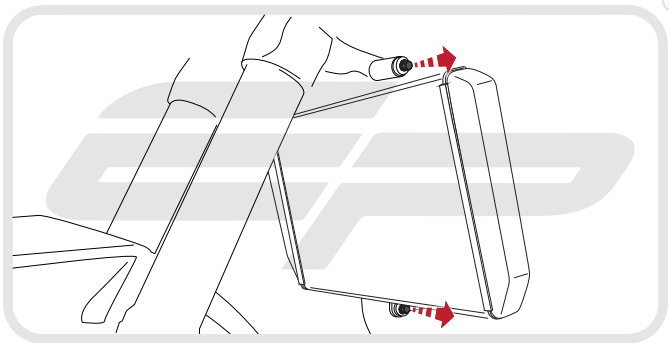
- (A)** 1 x Radiator Guard
- (B)** 1 x Neoprene Foam
- (C)** 1 x Stainless Steel Spacer (not needed for this model)
- (C)** 1 x Black Plastic Washer (not needed for this model)









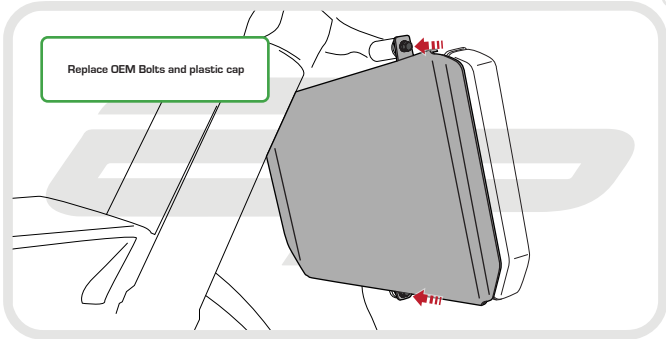


Hook RH side of Radiator Guard
onto upper radiator mount

A



Replace OEM Bolts and plastic cap





Reverse Stage

2,1



ESSENTIAL CHECKS



It is recommended that periodic inspections are made to ensure that dirt and debris have not become trapped between the guard and the radiator/oil cooler. Such dirt and debris would reduce the cooling efficiency of the radiator/oil cooler.

It is recommended that periodic inspections are made to ensure that all fixings are fully tightened.



EVOTECH®
P E R F O R M A N C E

www.evotech-performance.com