



EVOTECH®
P E R F O R M A N C E

Installation Instructions

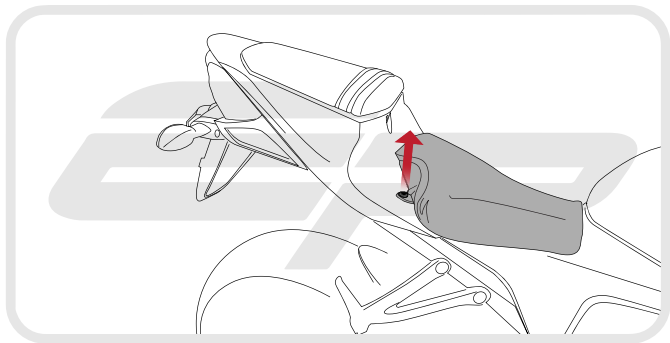


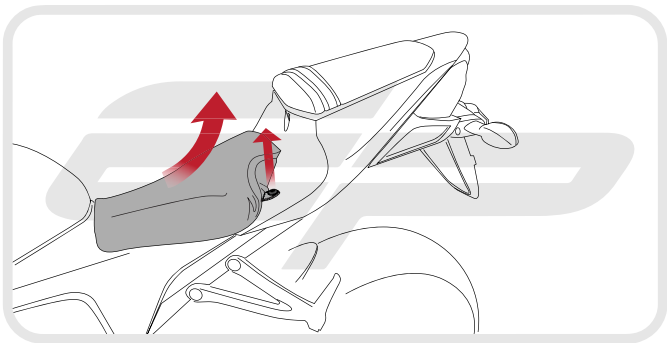
HONDA CBR600R 2007-12 TAIL TIDY

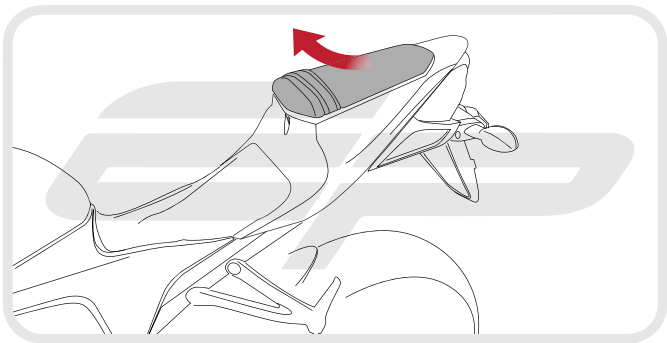
Product Reference - 5454

Kit Contents

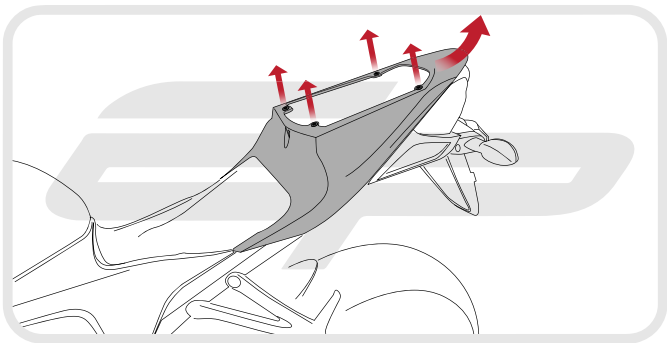
- | | |
|--|--|
| A 1 x Main Tail Tidy | I 2 x M6 - 16 Socket Button Heads |
| B 1 x LH Mounting Bracket | J 2 x M4 Nyloc Nuts |
| C 1 x RH Mounting Bracket | K 2 x M4 Washers |
| D 1 x Tail Light | L 2 x Plastic Screws |
| E 1 x Reflector Bracket | M 2 x Plastic Nuts |
| F 1 x Reflector | N 3 x Male Bullet Connectors |
| G 1 x Wiring Connector | O 4 x M6 Washers |
| H 2 x M6 - 20 Socket Button Heads | P 6 x Cable Ties |

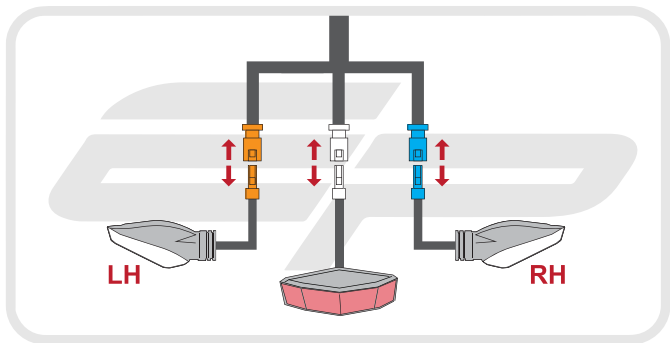


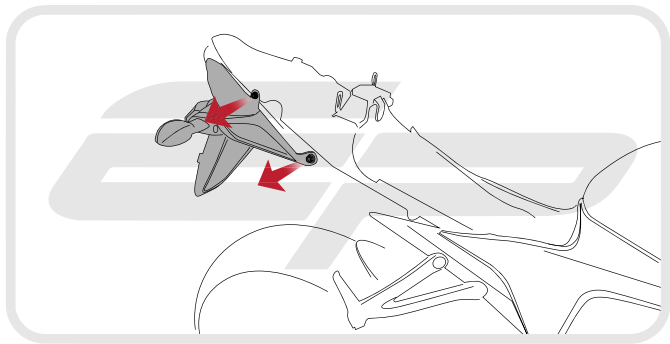


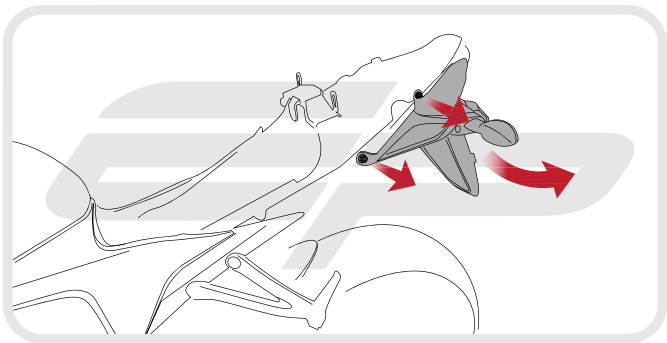


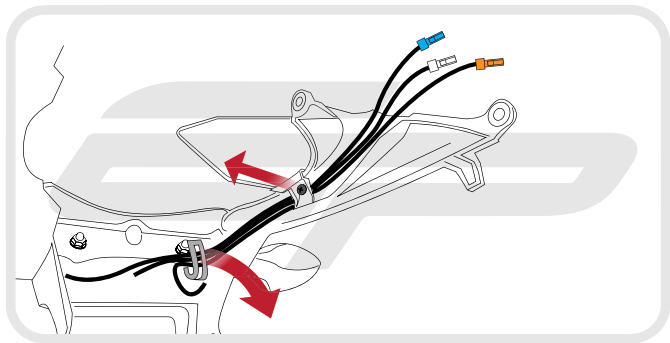
EVOTECH[®]
P E R F O R M A N C E

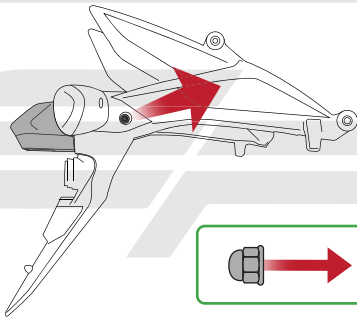




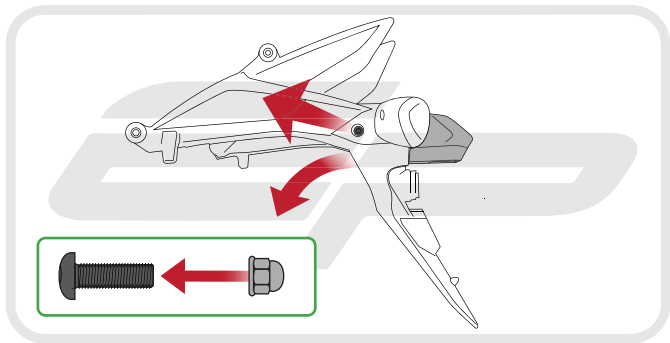




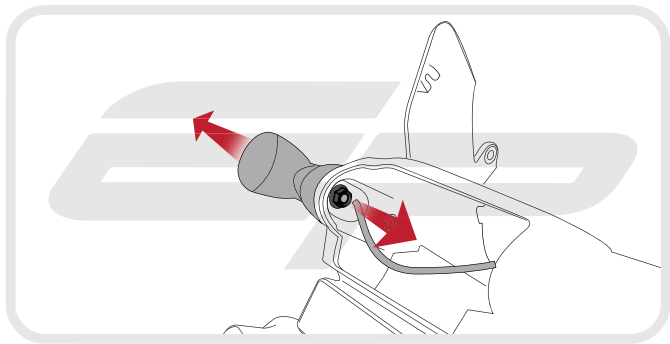


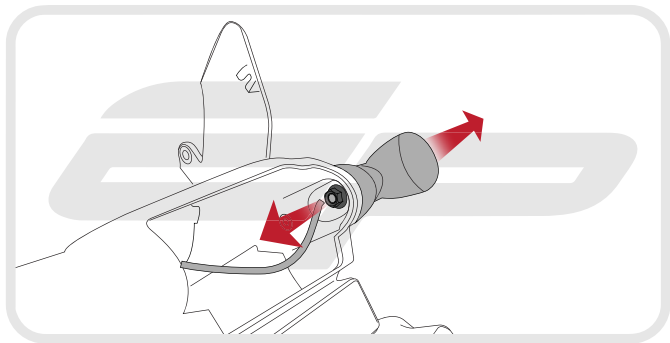


EVOTECH[®]
P E R F O R M A N C E

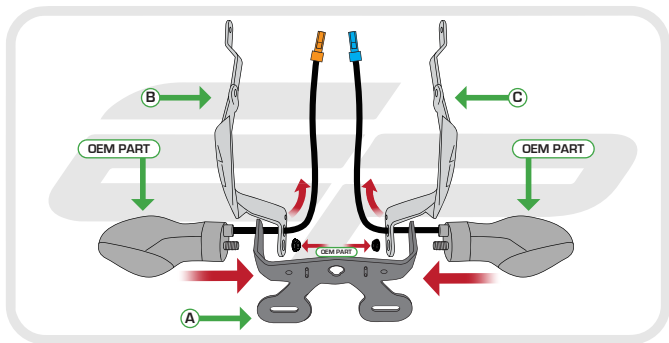


EVOTECH[®]
P E R F O R M A N C E





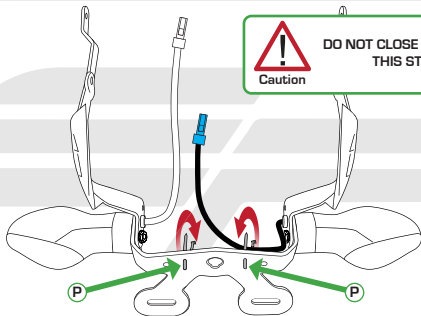
EVOTECH[®]
P E R F O R M A N C E



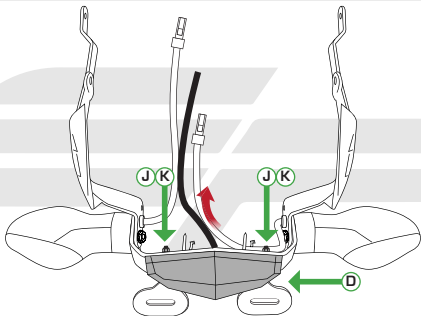


Caution

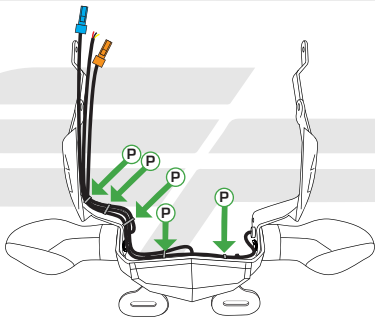
DO NOT CLOSE ZIP TIES AT
THIS STAGE



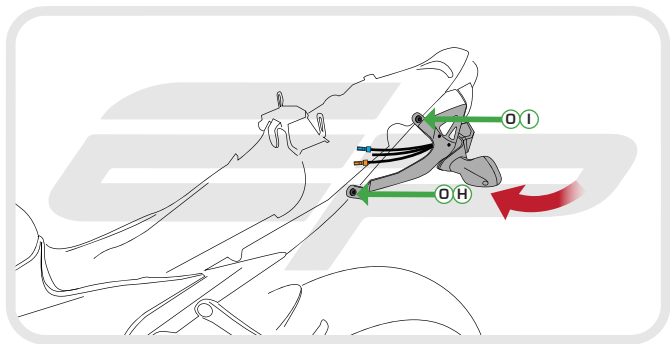
EVOTECH[®]
P E R F O R M A N C E

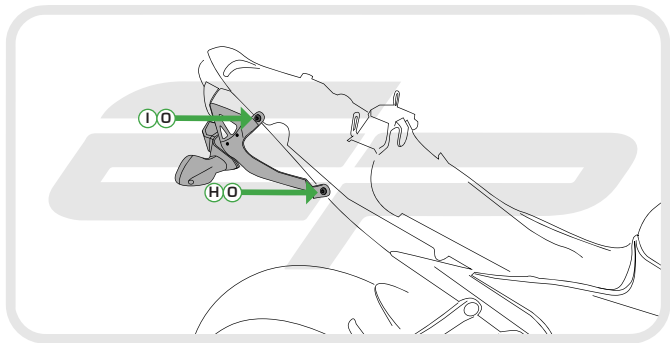


EVOTECH[®]
P E R F O R M A N C E

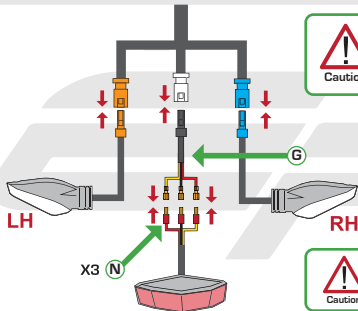


EVOTECH[®]
P E R F O R M A N C E





EVOTECH[®]
P E R F O R M A N C E



Caution

CHECK ALL ELECTRICS WORK
CORRECTLY, INCLUDING
INDICATORS AND PLATE LIGHT
BEFORE RIDING



Caution

REGIONAL DIFFERENCES MAY
REQUIRE DIFFERENT WIRING LOOM
CONFIGURATIONS.
UK CONFIGURATION SHOWN



Reverse Stage

4, 3, 2, 1



EVOTECH®
P E R F O R M A N C E

www.evotech-performance.com