



EVOTECH®
P E R F O R M A N C E

Installation Instructions

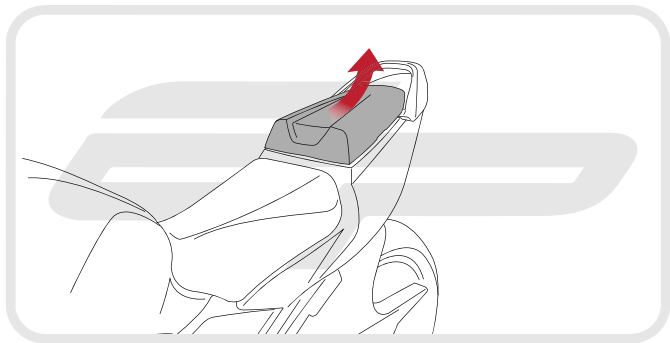


SUZUKI SV650 - SV1000 TAIL TIDY

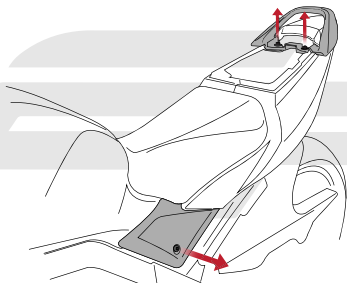
Product Reference - 4201

Kit Contents

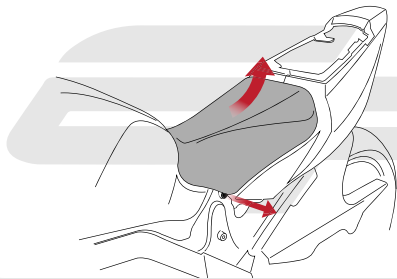
- | | |
|--------------------------------|--|
| A 1 x Main Tail Tidy | E 1 x RH Neoprene Sealing Pad |
| B 1 x Sealing Plate | F 1 x LH Neoprene Sealing Pad |
| C 1 x Reflector Bracket | G 2 x M3 x 10 Screws |
| D 1 x Reflector | H 2 x Plastic Number Plate Nuts and Bolts |



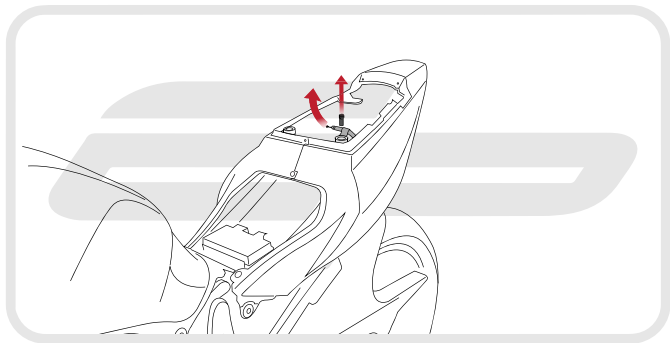
EVOTECH[®]
P E R F O R M A N C E



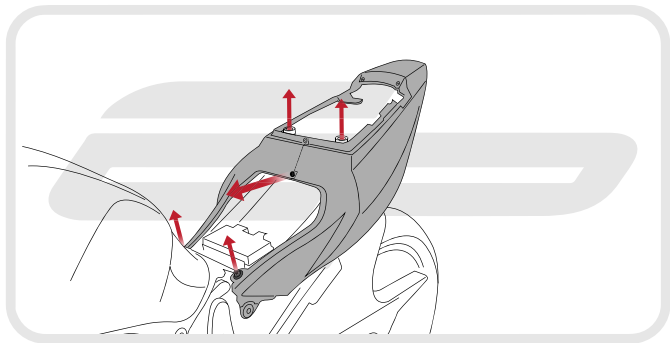
EVOTECH[®]
P E R F O R M A N C E

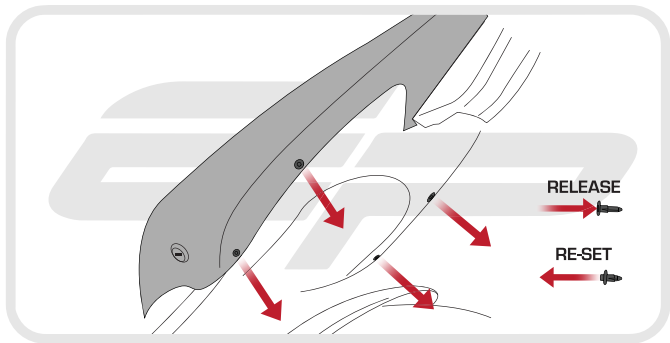


EVOTECH[®]
P E R F O R M A N C E

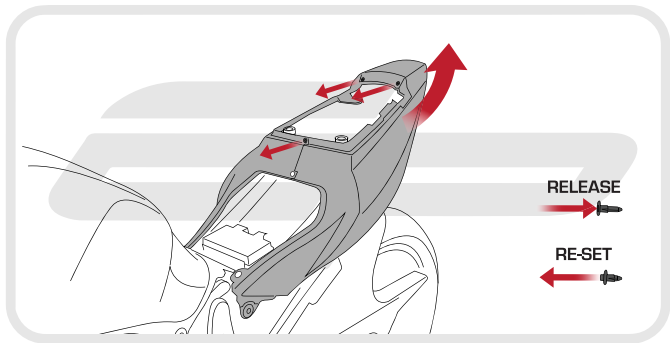


EVOTECH[®]
P E R F O R M A N C E





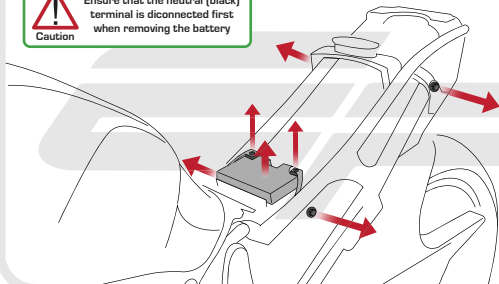
EVOTECH[®]
P E R F O R M A N C E

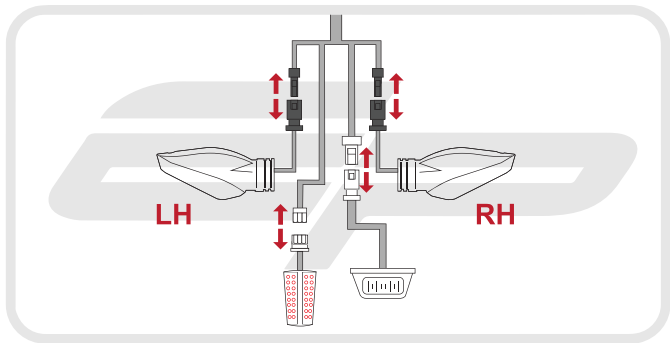


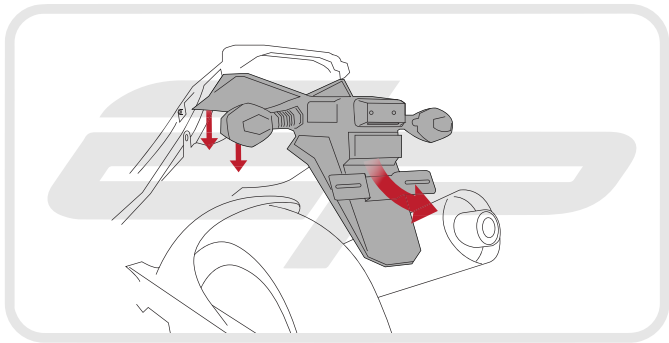


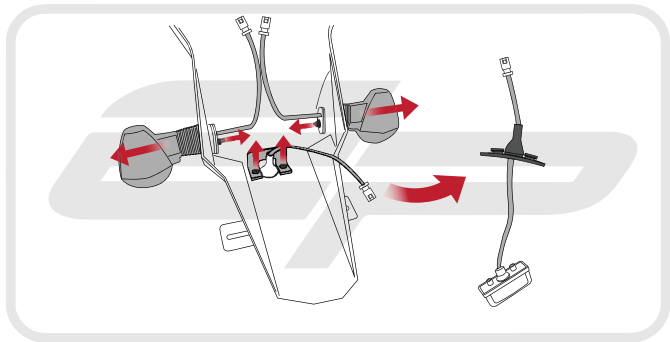
Caution

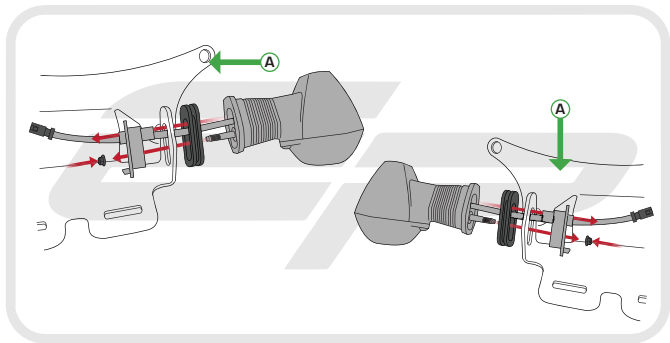
Ensure that the neutral (black) terminal is disconnected first when removing the battery

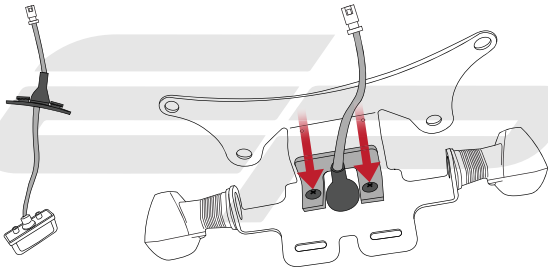


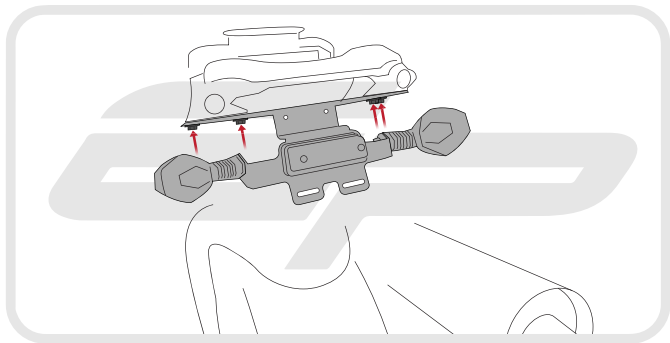


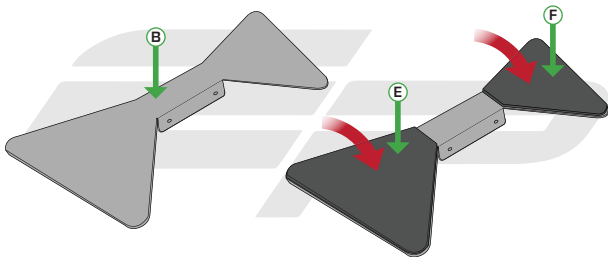


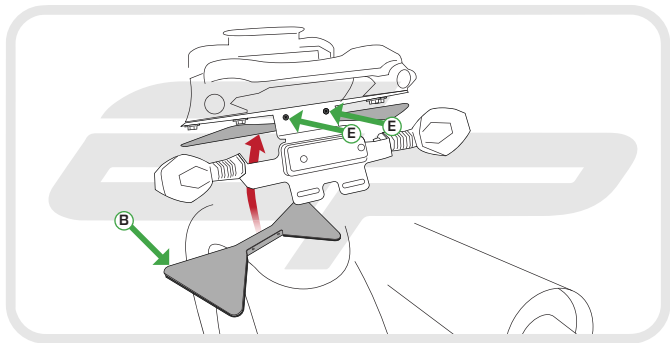














Reverse Stage

9 - 1



Caution

CHECK ALL ELECTRICS WORK
CORRECTLY, INCLUDING
INDICATORS AND PLATE LIGHT
BEFORE RIDING



EVOTECH®
P E R F O R M A N C E

www.evotech-performance.com