

▼ Shown clockwise from top: WR-5, A-92, WR-15



- Single-acting, spring return
- WR-15: For long stroke spreading applications
- WR-5: For use in very confined work areas
- A-92: Spreader attachment screws onto RC-Series 10 ton cylinders (except RC-101)

A, WR Series

Capacity:
0.75-1.00 ton

Tip Clearance:
0.50-1.38 inches

Maximum Spread Range:
3.70-11.50 inches

Maximum Operating Pressure:
10,000 psi



RC Series DUO Cylinders
10 ton **RC Series DUO** cylinders (except RC-101) fit into A-92 Spreader Attachment.

www.enerpac.com

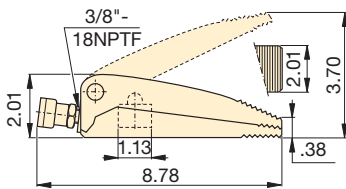


Best Match Hand Pump

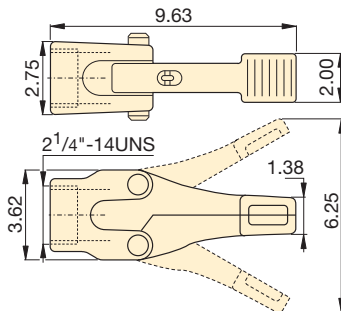
To power your WR5 and WR15 the **P-392** hand pump is an ideal choice.

www.enerpac.com

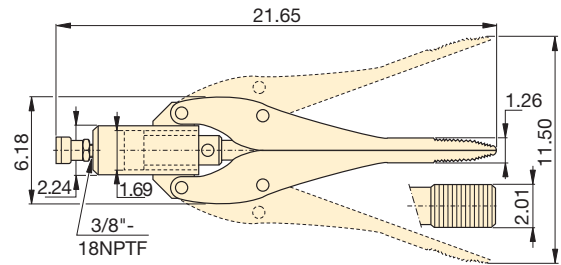
WR-5



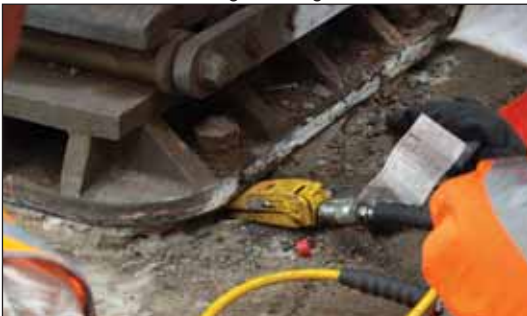
A-92



WR-15



▼ A WR-5 wedgie cylinder is used for maintenance on a bridge bearing.



Spreader Capacity	Tip Clearance	Model Number	Maximum Spread	Cylinder Effective Area	Oil Capacity	Wt.
(ton)	(in)		(in)	(in ²)	(in ³)	(lbs)
1.00	.50	WR-5	3.70	1.00	.61	5.0
.75	1.26	WR-15	11.50	2.25	3.91	25.0
1.00	1.38	A-92	6.25	–	–	8.0