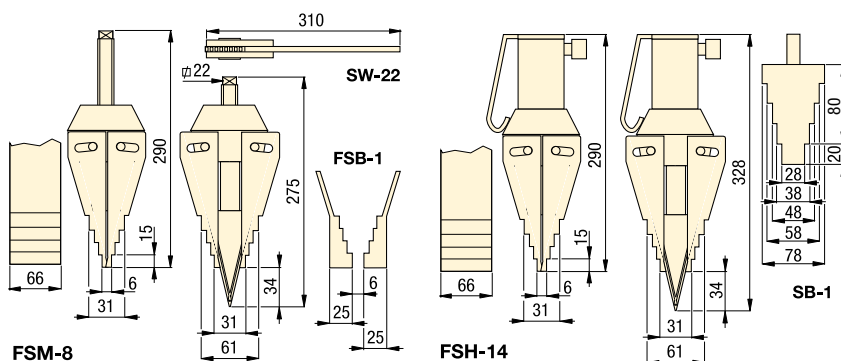



Hydraulic and Mechanical Industrial Spreaders

▼ FSH-14 and FSM-8 with safety blocks SB-1



- **Integrated wedge concept:** friction-free, smooth and parallel wedge movement eliminates flange damage and spreading arm failure
- **Unique interlocking wedge design** - no first step bending and risk of slipping out of joint
- **Requires very small access gap of only 6 mm**
- **Stepped spreader arm design** - each step can spread under full load
- **Few moving parts mean durability and low maintenance**
- **Safety block SB-1 and ratchet spanner SW-22 included with FSM-8**
- **Safety block SB-1 and RC-102 cylinder included with FSH-14.**



Maximum Spreading Force	Model Number	Tip Clearance	Maximum Spread ¹⁾	Spreader Type	Oil Capacity	
ton (kN)		(mm)	(mm)		(cm ³)	(kg)
8 (72)	FSM-8	6	80	Mechanical	–	6,5
14 (125)	FSH-14 *	6	80	Hydraulic	78	7,1

¹⁾ Using stepped blocks FSB-1

* Available as pump-tool set, see note on this page.

FSH, FSM, STF Series

Tip Clearance / Maximum Spread:

6 mm / 80 mm

Maximum Spread Force:

8 - 14 ton

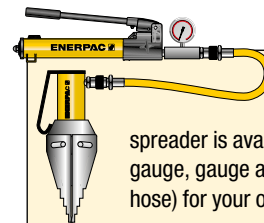
Maximum Operating Pressure:

700 bar (FSH-14)



Stepped Blocks FSB-1

Use stepped blocks to increase wedge opening up to 80 mm. Fits both FSM-8 and FSH-14.



Tool-Pump Set

The hydraulic flange spreader is available as set (pump, tool, gauge, gauge adaptor, couplers and hose) for your ordering convenience.

Spreader Model Nr.	Handpump Model Nr.	Set Model Number
FSH-14	P-392	STF-14H



Cylinder-Pump Sets

Hydraulic cylinders can also be used to assist in pipe line positioning and aligning.

Page: **60**

▼ Flange maintenance and joint separation with FSH-14 Hydraulic Wedge Spreader.

