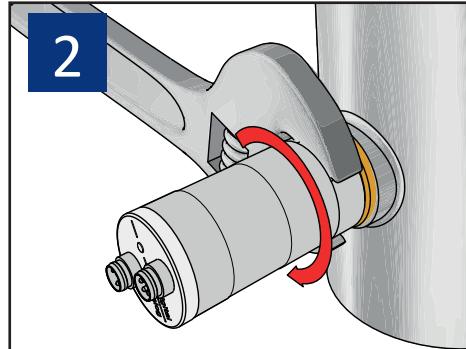
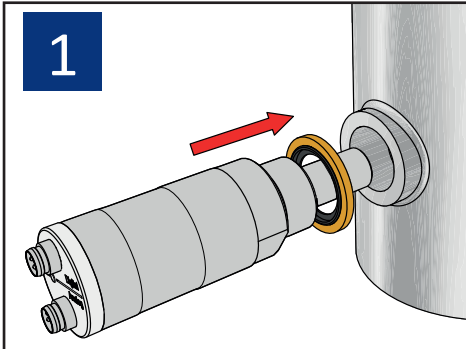


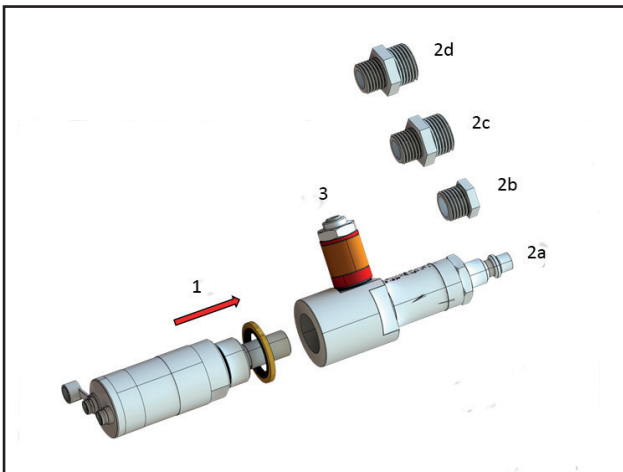
QUICK START VP DEW POINT SENSOR



Installation with seal ring

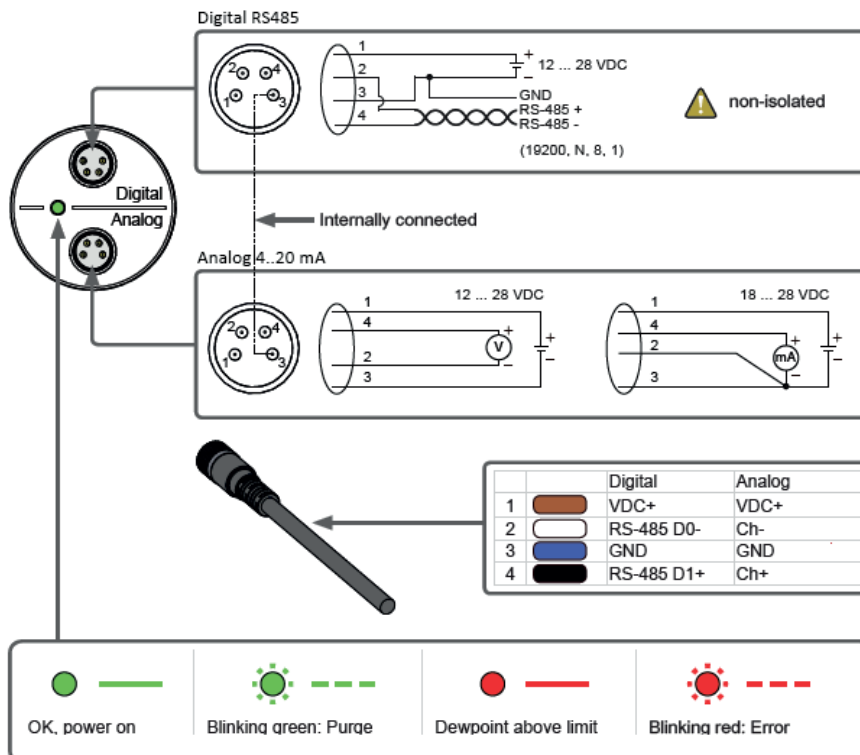


Installation with sampling cell



- 1 Insert VP Dew Point Sensor into sampling cell
- 2 Install one of the following process connections
 - a) Thread adapter type G3/8" - Pneumatic quick connector
 - b) Thread adapter type G3/8" - G1/4"
 - c) Thread adapter type G3/8" - G1/2"
 - d) Thread adapter type G3/8" - 1/2" NPT
- 3 Open leaking valve ½ turn with a screwdriver

Wiring



Produced by Vaisala on behalf of VPInstruments sold by Trido Energy Services using internationally and regionally sourced components, 70% organic materials, new materials only, flammable

Modbus

Default communication settings

DESCRIPTION	DEFAULT VALUE
Serial bit rate	19200
Parity	N
Number of data bits	8
Number of stop bits	2
Modbus device address	240
Communication mode	RS485 (Modbus RTU)

Function codes

FUNCTION CODE (DECIMAL)	FUNCTION CODE (HEXADECIMAL)	NAME
03	03 _{hex}	Read Holding Registers
16	10 _{hex}	Write Multiple Registers
43/14	2B _{hex} /0E _{hex}	Read Device Identification

Registers

DECIMAL	HEX	REGISTER NAME	REGISTER DESCRIPTION	UNIT	TYPE	READ/ WRITE
0	0x0000 - 0x0001	Relative humidity	RH	%RH	32-bit floating point	Read
6	0x0006- 0x0007	Dew/frost point temperature	Td/f	°C	32-bit floating point	Read
10	0x000A - 0x000B	Dew/frost point temperature at 1 atm	TD/fa	°C	32-bit floating point	Read
20	0x0014 - 0x0015	Water concentration	ppm	ppm	32-bit floating point	Read
256	0x0100	Relative humidity	RH * 100	%RH	16-bit integer (x10)	Read
259	0x0103	Dew/frost point temperature	Td/f * 100	°C	16-bit integer (x10)	Read
261	0x0105	Dew/frost point temperature at 1 atm	TD/fa * 100	°C	16-bit integer (x10)	Read
266	0x010A	Water concentration	ppm	ppm	16-bit integer (x10)	Read

See manual for more registers and Modbus information



For the complete manual, please go to www.tridoes.com

QRM-VP-ADEW-EN-1900

Produced by Vaisala on behalf of VPIstruments sold by Trido Energy Services using internationally and regionally sourced components, 70% organic materials, new materials only, flammable