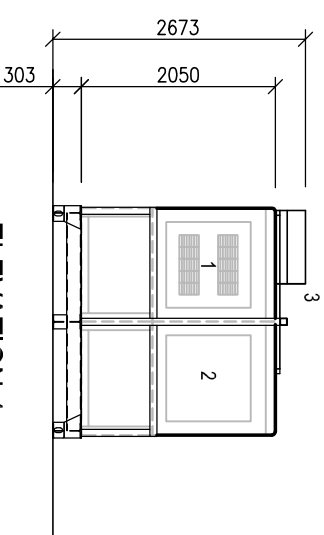
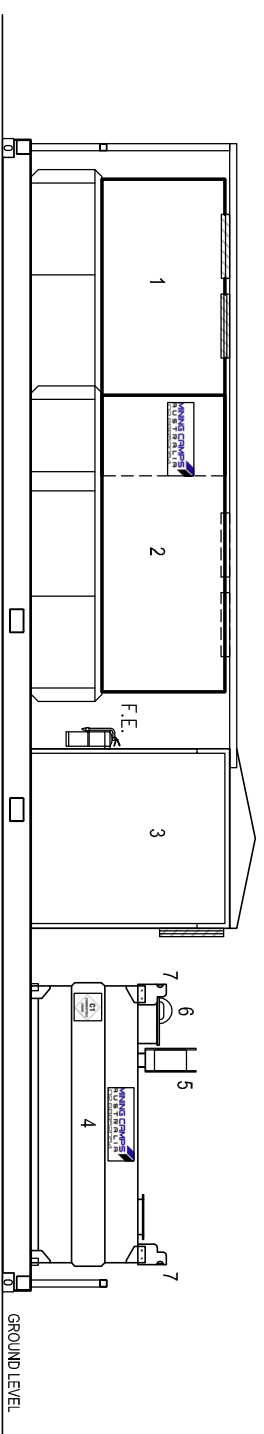


ELEVATION 3

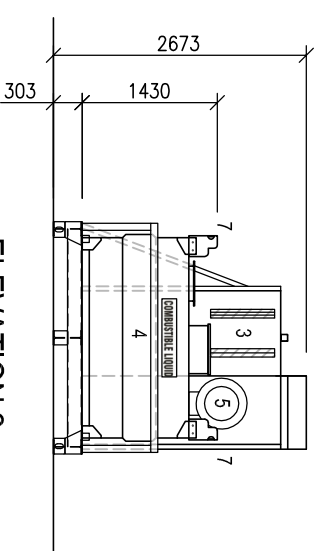


ELEVATION 4

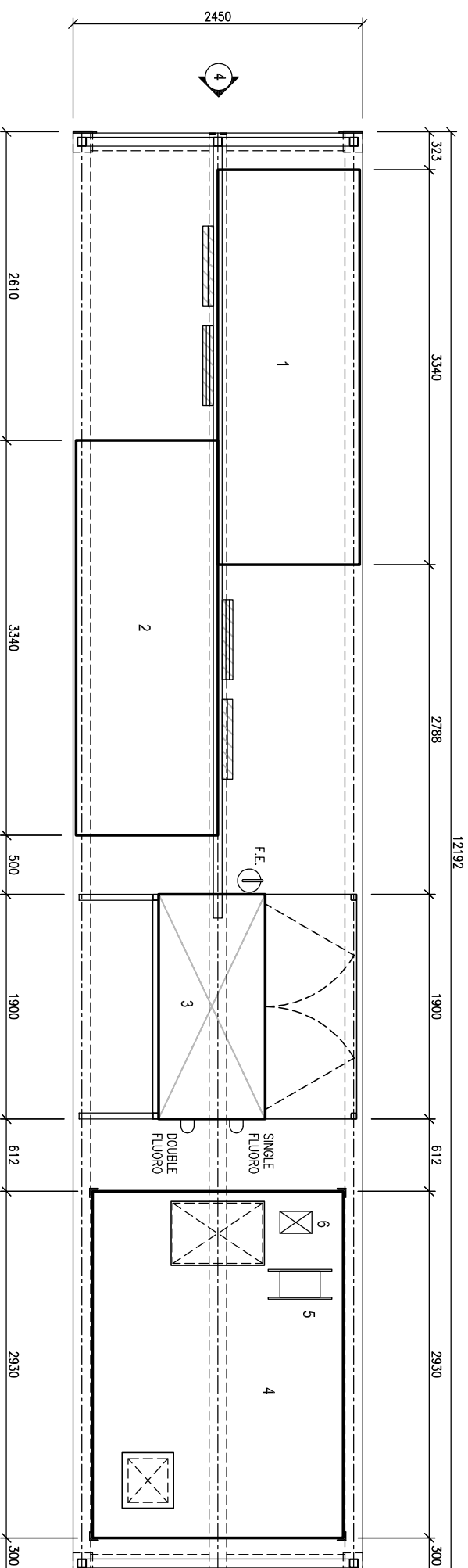
ITEM	DESCRIPTION	QTY
1	GENERATOR SET - GENELITE 415 VOLT OUTPUT	1
2	GENERATOR SET - GENELITE 415 VOLT OUTPUT	1
3	ELECTRICAL SWITCH BOARD CABINET	1
4	DIESEL FUEL TANK - CAPACITY ?	1
5	DIESEL FUEL TANK - FUEL HOSE REEL	1
6	DIESEL FUEL TANK - FUEL PUMP	1
7	DIESEL FUEL TANK - LIFTING LUGS SWL 1700KG	4
	1 x 38V FLUORO DIFFUSED - BATT BACK - EXTERNAL	3
	2 x 38V FLUORO DIFFUSED - BATT BACK - EXTERNAL	3
	2 x 38V FLUORO DIFFUSED - BATT BACK - EXTERNAL	3
	FIRE EXTINGUISHER - 4.5kg POWDER	1



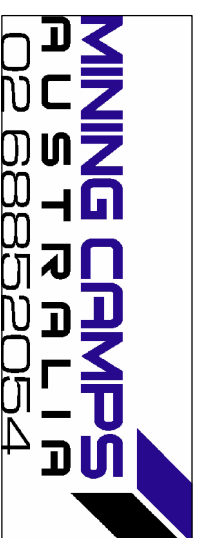
ELEVATION 1



ELEVATION 2



FLOOR PLAN - GENERATOR SKID



R.S.	18.02.14	ISSUE FOR USE	B
R.S.	20.01.14	ISSUE TO CLIENT	A
APPD.	DATE	DETAILS	ISS.
DATE:	17-01-14	APPROVED: RS	
DRAWN: P.G.		CHECKED: RS	
SCALE:	1=25 (A1); 1=50 (A3) U.N.O.		

STAFFORD ADAMSON
 PROJECT MANAGERS & CONSULTING ENGINEERS
 PO BOX 7120
 TOOWOOMBA SOUTH
 QLD 4352
 Phone: (07) 4639 6600 Fax: (07) 4639 6300
 Email: staffadam@staffadam.com.au

PROJECT:	MINING CAMPS AUSTRALIA - TRANSFIELD-1 CAMP
TITLE:	GENERATOR SKID FLOOR PLAN & ELEVATIONS
DRAWING No.	C0136-MCA-70-01
REVISION	B