



Alfa-V Single Row VCM

Air-cooled condenser – commercial V-range

General information & application

Alfa Laval supports a sustainable environment. Therefore our new Alfa-V Single Row air-cooled condenser range has been designed according to the following principles: material wastes have been reduced to an absolute minimum, the V-angle with its exceptional guiding optimizes airflow and low coil resistance reduces energy consumption of the fan motors.

Alfa-V Single Row has been specifically designed for commercial refrigeration and air conditioning. Its main purpose is to reject small to medium heat loads in a modest footprint. But Alfa-V Single Row also offers many other features to comply with the highest demands in state-of-the-art refrigeration installations in for instance city-size supermarkets.

Refrigerants	all H(C)FC
Capacities (SC2)	35 up to 550 kW

Coil

An innovative coil design based on 5/16" copper tubes and corrugated aluminium turbo fins provides excellent heat transfer at a minimized refrigerant charge. Standard fin spacing is 2.1 mm.

Casing

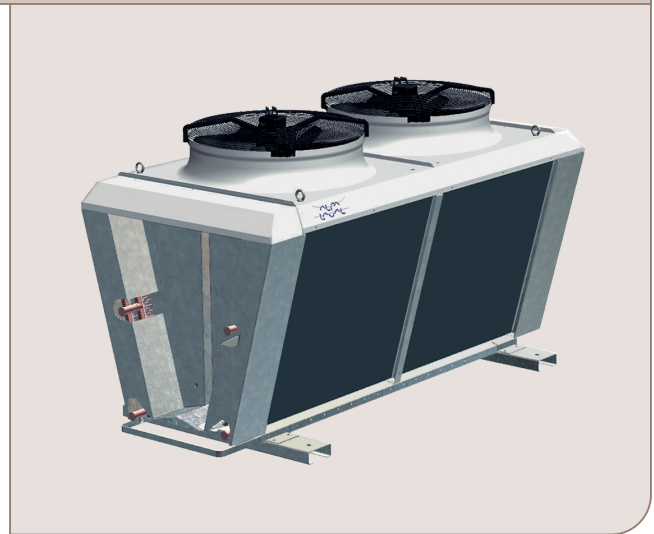
Casing material is galvanized steel sheet, pre-painted with an epoxy finish (RAL9002). Separated fan sections.

Fan motors

Fan motors 400/50/3 available in two fan diameters (800 & 910 mm). The motors are with external rotor, protection class IP54 according to DIN 40050. Integrated thermal protection by thermo contacts provides reliable protection against thermal overload. These fan motors are available in five sound level classes: T=high performance, S=standard, L=low, Q=quiet, and R=residential. Motors are wired to one or more common terminal boxes.

Options

- Multi-circuiting
- Sub-cooling circuit
- Non-standard fin spacing
- Coil corrosion protection
 - Coil coating
 - Fins seawater resistant aluminium alloy 57S/5052
- Spray water device



Alfa-V Single Row

- Vibration dampers
- Special fan motors
 - 480/3/60 (IP54)
 - EC fan motors
 - Protection class IP55
 - High-temperature motors
- Electrical options
 - Isolating switch
 - Motors wired to a common terminal box
 - EMC approval

Certifications

All condenser models are "Eurovent Certify All" certified. The Alfa Laval quality system is in accordance with ISO 9001. All products are manufactured according to PED rules.

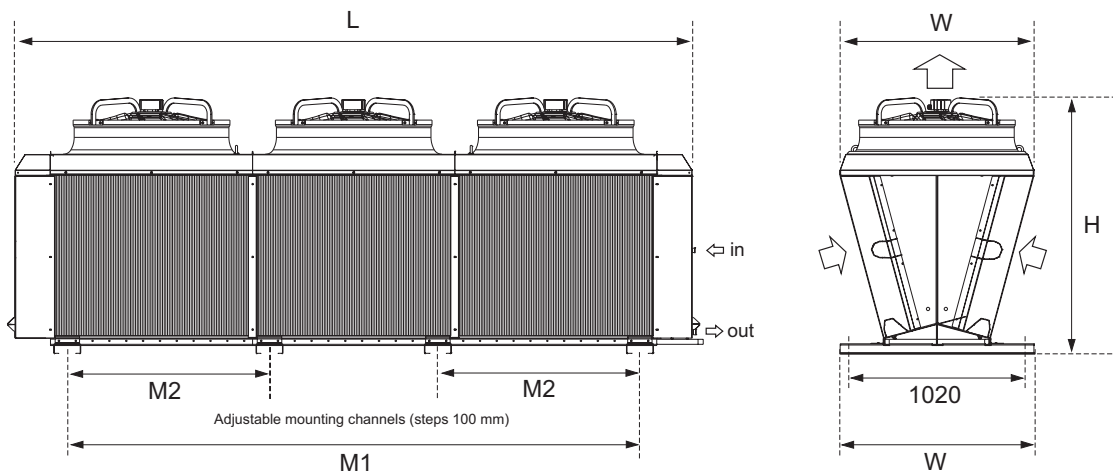
Design pressure

Design pressure 33 bar. Each heat exchanger is leak tested with dry air and finally supplied with a nitrogen pre-charge

Selection

Selection and pricing is to be performed with our Alfa Laval air heat exchanger selection software. Selection output includes all relevant technical data and dimensional drawings. Please contact our sales organization for details and full technical documentation.

Model	Fans no.	Transport dimensions			Weight kg	Mounting channels		
		Length L mm	Height H mm	Width W mm		no.	M1 mm	M2 mm
VCM 801	1	1635	1451	1150	230	2	800	-
VCM 802	2	2635	1451	1150	393	2	1800	-
VCM 803	3	3635	1451	1150	557	4	2800	800
VCM 804	4	4635	1451	1150	721	4	3800	1000
VCM 805	5	5635	1451	1150	885	4	4800	1800
VCM 806	6	6635	1451	1150	1049	4	5800	1800
VCM 901	1	1836	1520	1150	260	2	1000	-
VCM 902	2	3036	1520	1150	480	2	2200	-
VCM 903	3	4236	1520	1150	700	4	3400	1200
VCM 904	4	5436	1520	1150	920	4	4600	1300
VCM 905	5	6636	1520	1150	1140	4	5800	2200



Code description

VCM	S(E)	80	3	B	D	*	-	AL	2.1	CU	*
1	2	3	4	5	6	7		8	9	10	11

- 1 Alfa-V Single Row condenser
- 2 Sound level/fan code (T=turbo, S-standard, L=low, Q=quiet, R=residential, E=EC fan motor)
- 3 Fan diameter (80=800 mm, 90=910 mm)
- 4 Number of fans (1 to 6)
- 5 Tube rows code (A, B, C)
- 6 Fan motor connection (D=delta, Y=star)
- 7 Electrical options
- 8 Fin material/coating (AL=aluminium, EP=epoxy coated aluminium, FC=F-coat, BY=Blygold)
- 9 Fin spacing (2.1 mm, 2.5 mm)
- 10 Tube material (CU=copper)
- 11 Options

Benefits

- Reduced refrigerant charge
- Excellent sound characteristics, suitable for residential applications
- Reliable performance, Eurovent certified
- Easy installation & maintenance.
- Energy efficient - low total cost of ownership.
- Adjustable mounting feet
- Modern design
- Heavy duty materials for a long product life
- Two-year product guarantee.
- Easy access to additional on-line product information (QR code)



AHE00071EN 1701

Alfa Laval reserves the right to change specification without prior notification.

How to contact Alfa Laval

Up-to-date Alfa Laval contact details for all countries are always available on our website at www.alfalaval.com

