



AlfaBlue Junior DG

Dry coolers – commercial range

General information & application

AlfaBlue Junior DG is a competitive dry cooler line that offers excellent performance, allowing easy installation on site and an outstanding integration with other components. Highly efficient fan motors combine excellent sound characteristics and low energy consumption. AlfaBlue Junior dry coolers are often used for cooling down condenser water in air-conditioning and refrigeration installations. In the processing industry, dry coolers are suitable for closed circuit cooling of various process liquids.

Finned coil

Innovative coil design manufactured from Cu tubes and corrugated aluminium turbo fins. Standard fin spacing 2.1 mm. Liquid connections threaded ext. Each heat exchanger is leak tested with dry air.

Construction

Patented coil frame design allowing thermal expansion and offering protection against vibration (f.i. during transportation). Corrosion resistant casing material, coated RAL9002. Separated fan sections.

Fans

High efficiency AC or EC fans with innovative polymeric fan blades and low power consumption. Available in two fan diameters (500 & 630 mm), different power supplies (230/50-60/1, 400/50-60/3) and four noise levels. Protection class IP 54 according to DIN 40050.

AC motors are fitted with integrated thermo contacts to provide reliable protection against thermal overload (terminals in the box). Motors may be wired to one or more common terminal boxes.

Packing

All units are packed and shipped in horizontal airflow position. AlfaBlue Junior 501 & 502 units are mounted on a wooden pallet and covered with a sturdy cardboard box. All other models are mounted on a wooden pallet, wrapped with plastic foil and covered with an open crate.



AlfaBlue Junior DG

Options

- Switch on/off (SW)
- Terminal box for electric power connection (CB)
- Fan speed control 230/1 and 400/3 (FT)
- Coil options:
 - Epoxy coated fins (EP)
 - Fins seawater resistant aluminium alloy (SWR)
 - Copper fins (CU)
 - Blygold treatment (BY)
 - F-coat treatment (FC)
 - Industrial fins (IF)
 - Fin spacing 2.5 mm. Other fin spacings on request.
- Vibration dampers (VD)
- End covers (CV)
- Mounting feet kit for vertical airflow
- Aluminium flanges (FL)

Benefits

- Excellent sound characteristics, suitable for residential applications.
- Easy installation & maintenance.
- Energy efficient
- Low total cost of ownership.



AlfaBlue Junior DG

Dimensions

DG		Dimensions mm*					
type	fans	L1	H1	W1	L2	H2	W2
501.1	1	1165	890	899	1165	826	512
502.1	2	2065	890	899	2065	826	512
503.1	3	2965	890	899	2965	826	512
504.1	4	3865	890	899	3865	826	512
631.1	1	1265	1204	1102	1265	1036	760
632.1	2	2265	1204	1102	2265	1036	760
633.1	3	3265	1204	1102	3265	1036	760
634.1	4	4265	1204	1102	4265	1036	760
635.1	5	5265	1204	1102	5265	1036	760
636.1	6	6265	1204	1102	6265	1036	760

* Full dimensional details in instruction manual & website

Customization

Reverse setup (fitted with blow through fans for high air-in temperature applications) available on request.

Design pressure

Design pressure 6 bar. Higher design pressures on request.

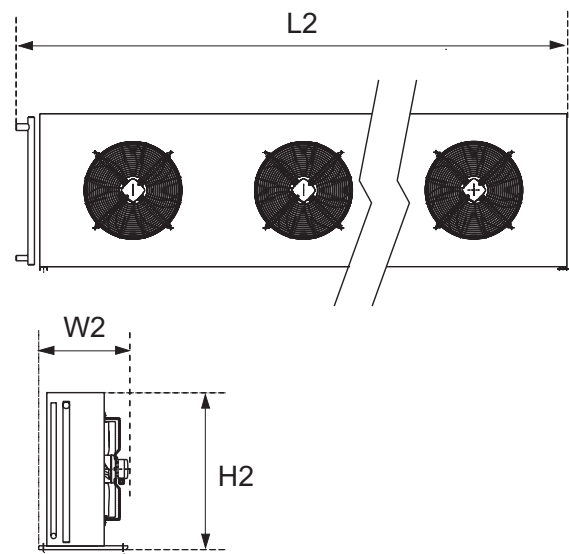
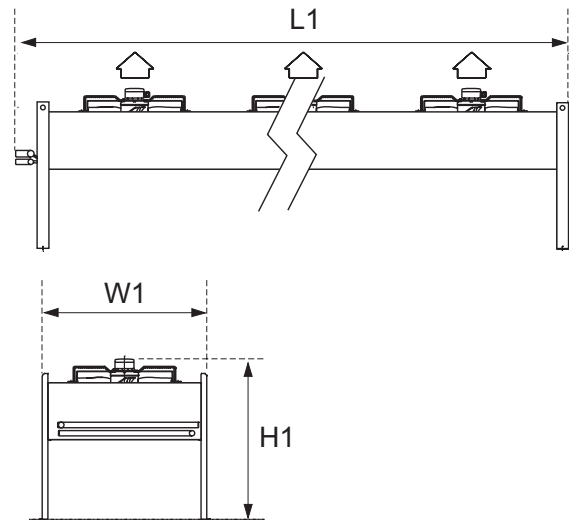
Selection

Selection and pricing is to be performed with our Alfa Laval air heat exchanger selection software. Please contact our sales organization for details and full technical documentation.

Code description

DG	S(E)	50	2	.1	B	D	H/V	BO	*	-	AL	2.1	CU	*
1	2	3	4	5	6	7	8	9	10		11	12	13	14

- 1 AlfaBlue Junior dry cooler
- 2 Sound level/fan code: S=standard, L=low, Q=quiet, R=residential, E=EC fan motor)
- 3 Fan diameter (50=500 mm, 63=630 mm)
- 4 Number of fans (1 to 6)
- 5 Version number
- 6 Tube rows code (A, B, C)
- 7 Phases (S=1 phase, D=3 phases)
- 8 Units are suitable for both horizontal and vertical airflow (mounting feet kit required for vertical airflow setup).
- 9 Transport packing (BO=box, CR=crate)
- 10 Options
- 11 Fin material/coating (AL=aluminium, IF=industrial fins, SWR=AlMg2.5, CU=Copper, EP=epoxy coated alu, FC=F-coat, BY=Blygold)
- 12 Fin spacing (2.1 mm, 2.5 mm)
- 13 Tube material (CU=copper)
- 14 Extra options



Certifications

Eurovent certified performance applies to models included in the scope of the programme. The Alfa Laval quality system is in accordance with ISO 9001. All products are manufactured according to PED.



AHE00029EN 1701

Alfa Laval is a trademark registered and owned by Alfa Laval Corporate AB. Alfa Laval reserves the right to change specification without prior notification.

How to contact Alfa Laval

Up-to-date Alfa Laval contact details for all countries are always available on our website at www.alfalaval.com