

# Will it fit?

## The furniture

We want to make sure that the piece of furniture you love can fit into your home

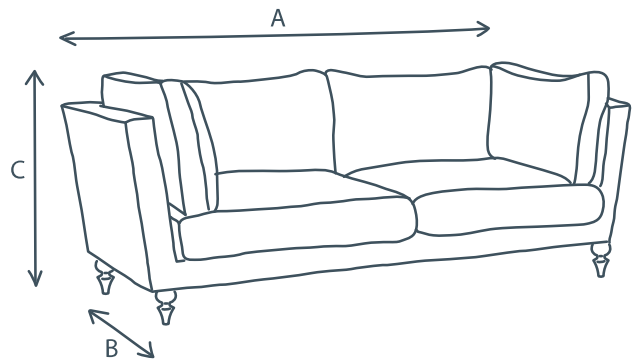
### Your chosen piece

Firstly, take down the measurements of your chosen piece. You can find these in the 'Dimension & Technical' panel on each product's web page.

**A:** Width: \_\_\_\_\_

**B:** Depth: \_\_\_\_\_

**C:** Height: \_\_\_\_\_



**Remember!** Certain items such as beds and corner sofas are delivered in parts and assembled in situ, so always check with us what the dimensions of each parcel will be. Legs are often removed for delivery too so remember to take this into account in your measurements.

## The journey

To make sure your piece can get from our van to it's new space in your home, let's check the steps along the way...

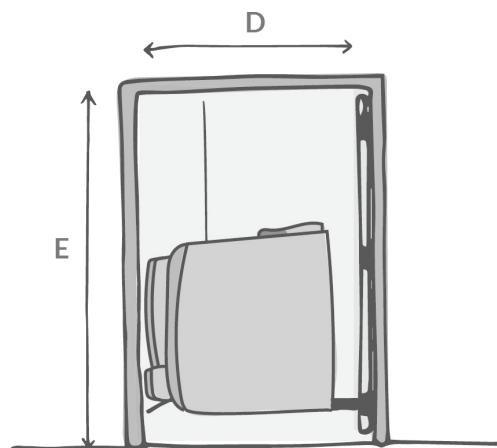
### Front door

Take the narrowest measurement of the inside of your doorframe, and the height in case its better to go in on its end.

**D:** Width: \_\_\_\_\_

**E:** Height: \_\_\_\_\_

If the width of the door **D** is bigger than the height of the piece you've chosen **C**, it'll go through your door. If it won't fit this way, it may go in on its end. If the height of the doorway **E** is greater than the piece's width **A**, then this option may work for you.



### Hallway

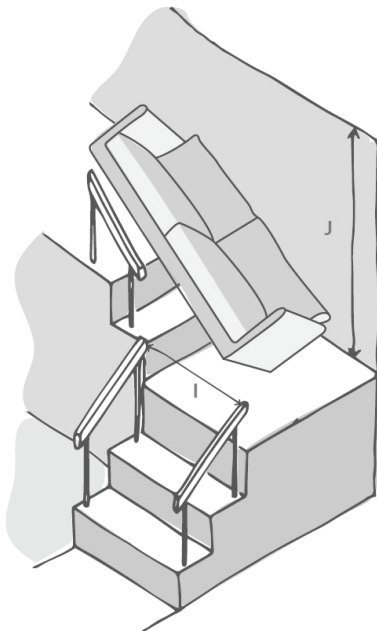
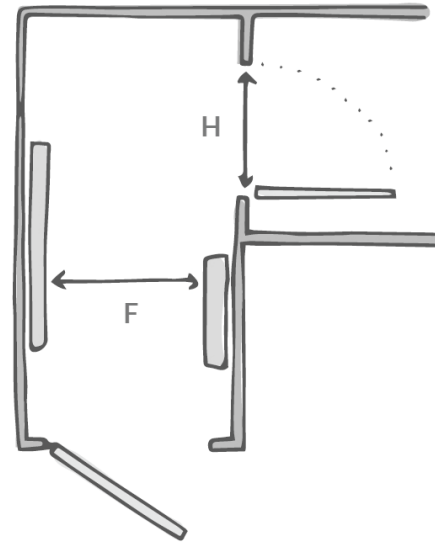
Take measurements of the narrowest gap, ceiling height, and internal doorway width on the route your piece will take

**F:** Width: \_\_\_\_\_

**G:** Height: \_\_\_\_\_

**H:** Door: \_\_\_\_\_

Consider radiators, pipes, or any other potential obstructions that cannot be moved. The height of your piece **C** needs to be smaller than these measurements.



### Stairs

Take the narrowest measurement which may be between a banister and the ceiling, or a light fixture. Check the space on the landing for the ability to manoeuvre the furniture at the top

**I:** Width: \_\_\_\_\_

**J:** Height: \_\_\_\_\_

As long as the width **I** is greater than the height of your piece **C** then it should fit. If we need to lift the furniture over any bannisters ensure the distance between the bannisters and the ceiling is greater than depth **B**

### Lift

If there's a lift involved in the journey, we'll need to take that into account too.

**K:** Width: \_\_\_\_\_

**L:** Height: \_\_\_\_\_

**M:** Depth: \_\_\_\_\_

As long as these measurements are bigger than the furniture dimension, it will fit

