



NK24N9804VB (60cm) Cooker Hood

Key features

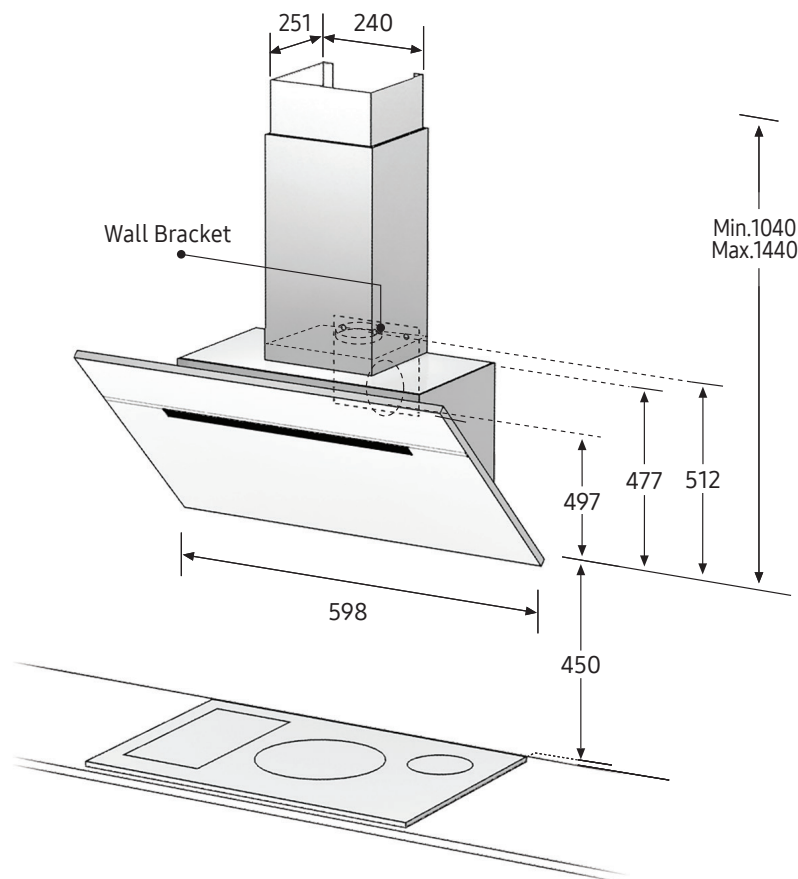
- Auto Connectivity (with Hob)
- Auto Sensing Control
- Black Glass
- High Suction Power (737m³/h)
- Touch Control
- LED Bar Lighting
- 4 Speed Extraction Modes (3 Level x 1 Booster)
- Washable Aluminium Metallic Filters
- Saturation Indicator
- Timer Function

Included accessories

- Charcoal Filter
- Recirculation kit

Energy efficiency

A⁺



NK24N9804VB (60cm) Cooker Hood

Main Specifications		
References		Glass / Painted Body
Size (cm)		60
Model Type Install		Wall-mount
Technical Specifications		
Type of Controls		Touch control (DGT)
Energy Efficiency Class		A+
Display Colour		Ice Blue
Extraction Type		Ducting or Recirculating
Number of Motors / Fans		1 / 1
Number of Extraction speeds		4 (3 + Booster)
Max Extraction (m ³ / hr)		560
Boost Extraction (m ³ / hr)		737
Max Sound Power (dBA)		66
Boost Sound Power (dBA)		72
Lighting		1 x 7W LED Bar
Number of Metallic Filter (Aluminium)		1
Number of Charcoal Filter		2
Total Power of Connection (W)		167
Ducting Diameter (mm)		150
Clean Air		No
Saturation Filter Lamps		Yes
Timer		Yes
Booster		Yes
Air Diverter		No
Charcoal Filter		Yes
Bluetooth		Yes
Automatic Control (Sensor)		Yes (Vapour)
Accessories (Optional)		
Charcoal Filter Reference		CFC0038668
Dimensions		
Gross Weight		24.5 Kg
Net Weight		19.2 Kg
Package Dimensions (W x H x D)		759 x 453 x 915 mm
Net Dimensions (W x H x D)		598 x min 1,050 ~ max 1,486 x 386 mm