



NK24M7070VS (60cm) Cooker Hood

Key features

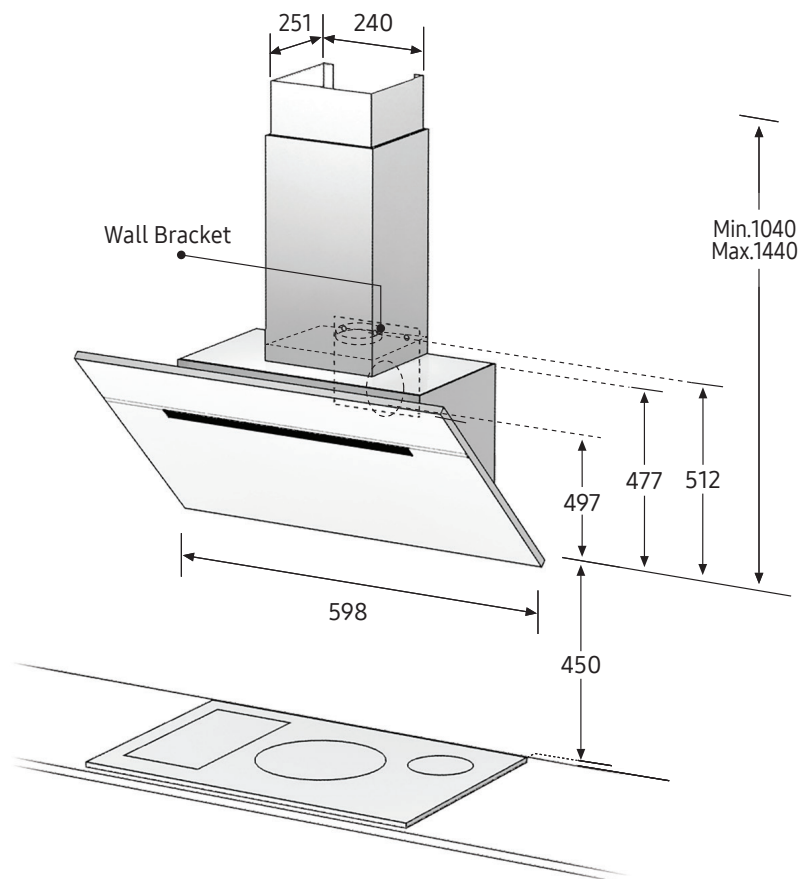
- Stainless Steel
- Touch Control
- High Suction Power (729m³/h)
- 2 LED Lighting
- 4 Speed Extraction Modes (3 Level x 1 Booster)
- Washable Aluminium Metallic Filters
- Saturation Indicator
- Timer Function

Included accessories

- Charcoal Filter
- Recirculation kit

Energy efficiency

B



NK24M7070VS (60cm) Cooker Hood

Main Specifications		
References		Stainless Steel A430
Size (cm)		60
Model Type Install		Wall-mount
Technical Specifications		
Type of Controls		Touch Control (DGT)
Energy Efficiency Class		B
Display Colour		Ice Blue
Extraction Type		Ducting or Recirculating
Number of Motors / Fans		1 / 1
Number of Extraction speeds		4 (3 + Booster)
Max Extraction (m ³ / hr)		585
Boost Extraction (m ³ / hr)		729
Max Sound Power (dBA)		68
Boost Sound Power (dBA)		73
Lighting		2 x 2.5W LED
Number of Metallic Filter (Aluminium)		1
Number of Charcoal Filter		2
Total Power of Connection (W)		265
Ducting Diameter (mm)		150
Clean Air		No
Saturation Filter Lamps		Yes
Timer		Yes
Booster		Yes
Air Diverter		Yes
Charcoal Filter		No
Bluetooth		No
Automatic Control (Sensor)		No
Accessories (Optional)		
Charcoal Filter Reference		DG81-02279A
Dimensions		
Gross Weight		24.5 Kg
Net Weight		19.2 Kg
Package Dimensions (W x H x D)		759 x 915 x 433 mm
Net Dimensions (W x H x D)		598 x min 1,040 ~ max 1,440 x 137 mm