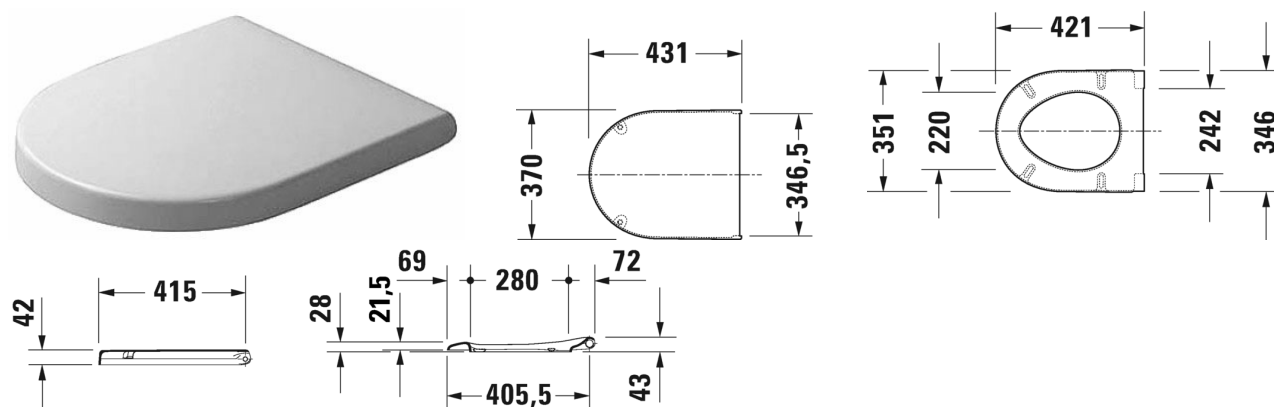


Toilet seat and cover # 0063890000



Toilet seat and cover	Dimension	Weight	Order number
hinges stainless steel, removable, with automatic closure			
Colors			
00 White Alpin			
Variant			
		2.100 kg	0063890000
Suitable products			
Toilet close-coupled washdown model, (without cistern), fixings included, horizontal outlet, 360 x 655 mm	360 x 655 mm		012609
Toilet close-coupled (without cistern), washdown model, fixings included, 360 x 655 mm	360 x 655 mm		012809
Toilet floor standing for independent water supply, washdown model, fixings included, horizontal outlet, UWL class 2, 6 litre flush, 360 x 560 mm	360 x 560 mm		012409
Toilet wall mounted washdown model, UWL class 1, 360 x 540 mm	360 x 540 mm		220009
Toilet wall mounted Compact washdown model, UWL class 2, 360 x 480 mm	360 x 480 mm		220209
Toilet wall mounted washdown model, Durafix included, UWL class 1, 360 x 540 mm	360 x 540 mm		222509
Toilet wall mounted Compact washdown model, Durafix included, UWL class 1, 360 x 485 mm	360 x 485 mm		222709
Toilet wall mounted Duravit Rimless® rimless, washdown model, Durafix included, UWL class 1, 360 x 540 mm	360 x 540 mm		252709

All drawings contain the necessary measurements which are subject to standard tolerances. Exact measurements, in particular for customised installation scenarios, can only be taken from the finished ceramic piece.